

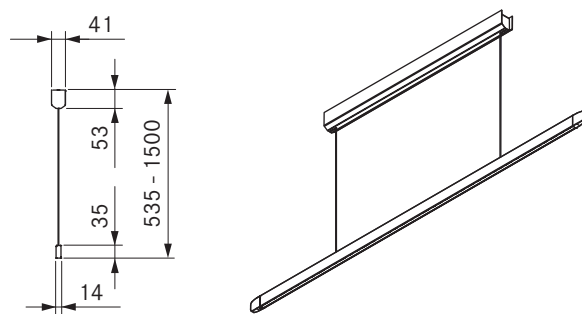
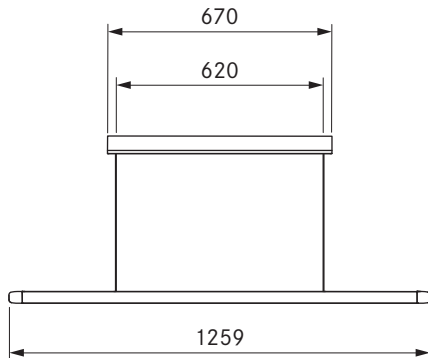
# LHFSW / LHFMG / LHFRG



Horizon pendant light fixed – black

Horizon pendant light fixed – moss green

Horizon pendant light fixed – rose gold



## Technical data

Lighting type	Pendant light
Supply voltage	220 - 240 V
Frequency	50 - 60 Hz
Maximum power consumption	40 W
Connection clamp	3 pole
Lighting control system	Gesture control
Dimmable	Yes
Bulb	LED
Light colour	warm white - cool white
Colour temperature	2700 K - 5000 K
Colour rendering index (Ra)	CRI > 90
Lux	1600 lm direct / 770 lm indirect
Direct beam angle	63°
Indirect beam angle	69°
Service life	> 50000 h
Switching cycles	min. 50000
Surface material	Metal / Plastic
Protection class	1
Protection rating	IP 20
Ceiling housing dimensions (W x D x H)	670 x 41 x 53 mm
Light dimensions (W x D x H)	1259 x 14 x 35 mm
Weight (incl. accessories/packaging)	4,9 kg
Power consumption in standby mode	< 0.5 W

## Product description

- High quality and aesthetically pleasing
- Compact 2-in-1 lighting
- Simple operation through gesture controls
- Height-adjustable without tools

## Scope of delivery

- Horizon pendant light fixed
- Operating and installation instructions
- Drilling template

## Product- and planning instructions

- Fixing elements must be provided at the installation site