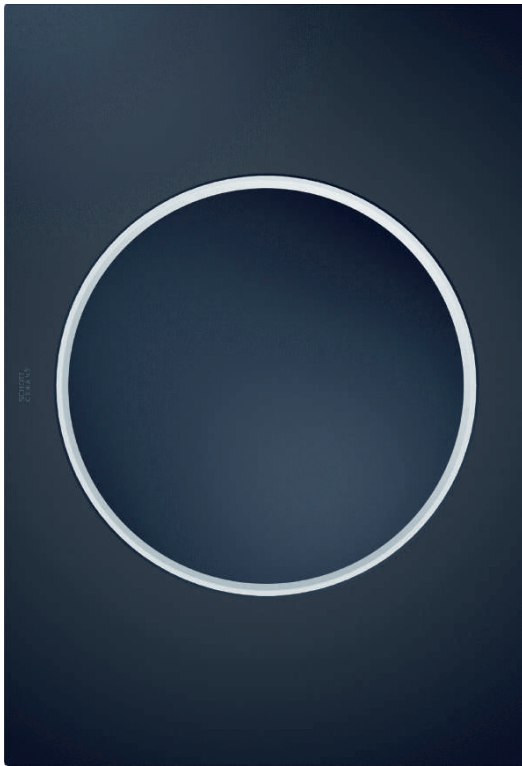
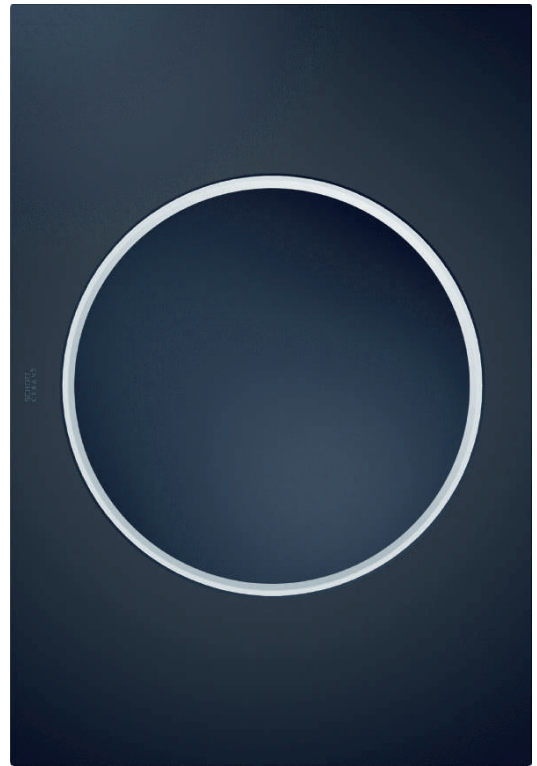


EN PKIW3 / PKIW3AB product information sheet**PKIW3**

Pro induction wok cooktop

**PKIW3AB**

Pro induction wok cooktop, All Black

General product information:

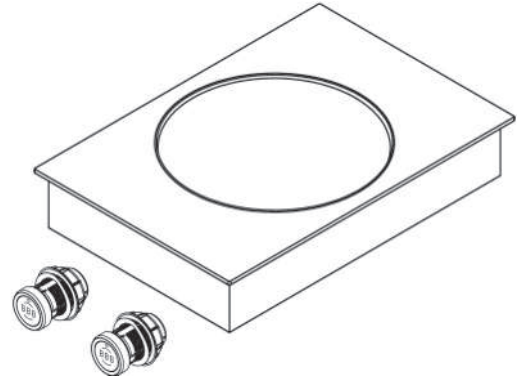
Product:	Induction wok cooktop for the modular cooktop extractor system BORA Professional 3.0
Product highlights:	Very large cooktop with a depth of 540 mm, intuitive control knob - turn the knob ring or touch the touch surface
Safety and warning information:	See operating and installation instructions

PKIW3 / PKIW3AB

Pro induction wok cooktop (...All Black)

Technical data

Supply voltage	220-240 V
Frequency	50-60 Hz
Maximum power consumption	3000 W
Maximum power rating	3000 W
Fuse protection	1 × 16 A
Mains supply cable length	1.5 m
Dimensions (width × depth × height)	370 × 540 × 128 mm
Weight (incl. accessories/packaging)	9.5 kg
Surface material	Glass ceramic
Cooktop power levels	1-9, P
Size of cooking zone	Ø 310 mm
Cooking zone output	2400 W
Cooking zone output on power setting	3000 W



Product description

- Intuitive control knob
- Enhanced breakage resistance
- Demo mode

Functions

- Power setting
- Pan size recognition
- Cooking zone timer
- Automatic heat-up function
- Variable heat retention function
- Pause function
- Super simple mode

Safety features

Child lock, residual heat indicator, overheating protection, safety shut-down

Scope of delivery

Induction wok cooktop PKIW3/PKIW3AB, 2 × control knobs, 2 × control knob connection cables, connection cable to the extractor, operating and installation instructions, installation accessories

Accessories

Induction wok pan HIW1, Controlinduc®, stainless steel, Ø 360 mm

Product and planning information

- Due to its height of 128 mm, the appliance cannot be installed over the exhaust ducting
- Sufficient ventilation below the cooktop must be ensured
- Induction cookware required
- A wok with overheating protection should be used (ideally the induction wok pan HIW1)

