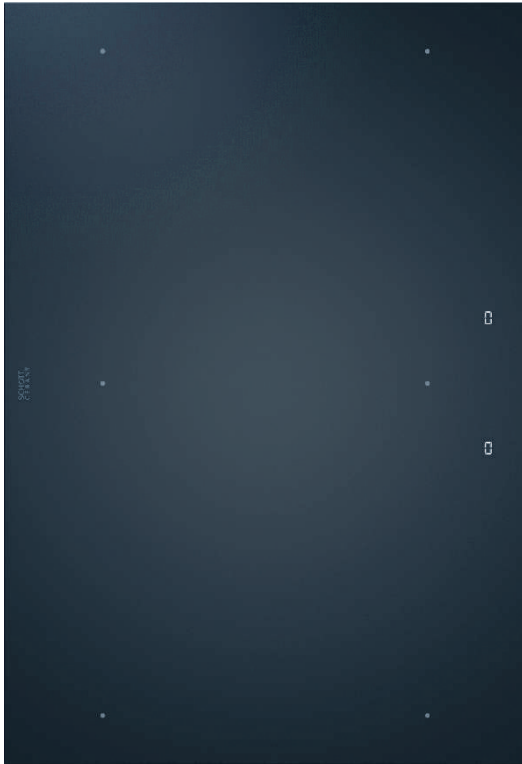
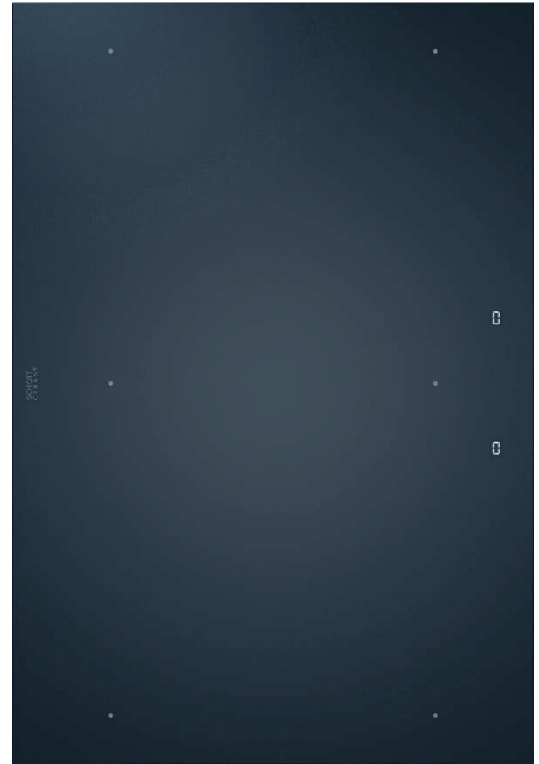


EN PKFI3 / PKFI3AB product information sheet



PKFI3

Pro surface induction cooktop



PKFI3AB

Pro surface induction cooktop, All Black

General product information:

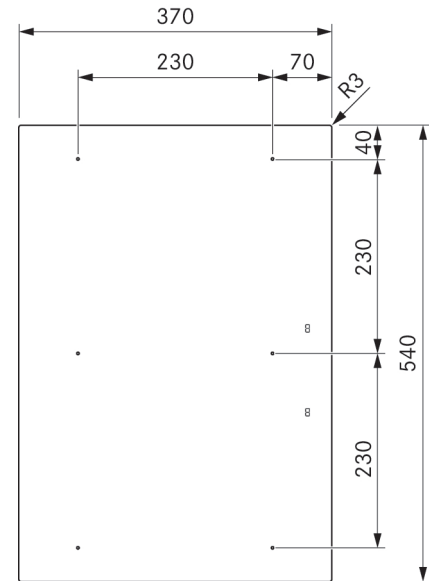
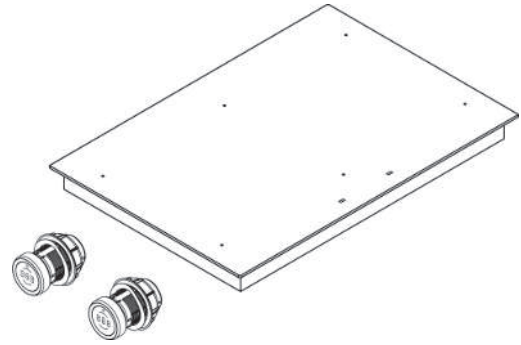
Product:	Surface induction cooktop for the modular cooktop extractor system BORA Professional 3.0.
Product highlights:	Very large cooktop with a depth of 540 mm, intuitive control knob - turn the knob ring or touch the touch surface, power display on cooktop, rotation by 180° possible during installation.
Safety and warning information:	See operating and installation instructions

PKFI3 / PKFI3AB

Pro surface induction cooktop (...All Black)

Technical data

Supply voltage	220-240 V
Frequency	50-60 Hz
Maximum power consumption	3680 W
Maximum power rating	3680 W
Fuse protection	1 × 16 A
Mains supply cable length	1.5 m
Dimensions (width × depth × height)	370 × 540 × 52 mm
Weight (incl. accessories/packaging)	8.1 kg
Surface material	Glass ceramic
Cooktop power levels	1-9, P
Size of front cooking zone	230 × 230 mm
Size of rear cooking zone	230 × 230 mm
Front cooking zone output	2100 W
Rear cooking zone output	2100 W
Front cooking zone output on power setting	3680 W
Rear cooking zone output on power setting	3680 W



Product description

- Intuitive control knob
- Oversized surface induction cooking zones
- Cooktop power display
- Demo mode

Functions

- Power setting
- Pan size recognition
- Cooking zone timer
- Automatic heat-up function
- Variable heat retention function
- Bridging function
- Pause function
- Super simple mode

Safety features

Child lock, residual heat indicator, overheating protection, safety shut-down

Scope of delivery

Surface induction cooktop PKFI3/PKFI3AB, 2 × control knobs, 2 × control knob connection cables, connection cable to the extractor, operating and installation instructions, installation accessories

Accessories

Grill pan for surface induction KWGPFI

Product and planning information

- Rotation by 180° possible during installation
- Sufficient ventilation below the cooktop must be ensured
- Induction cookware required

