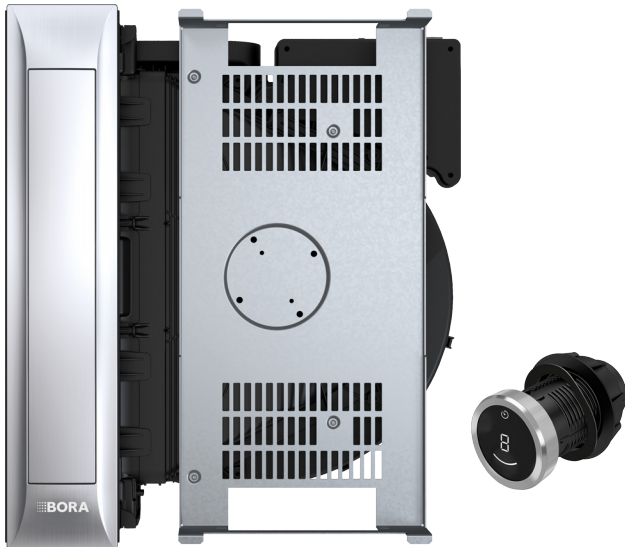


EN PKAS3/ PKAS3AB product information sheet



PKAS3


Pro cooktop extractor system with integrated fan



PKAS3AB

Pro cooktop extractor system with integrated fan, All Black

General product information:

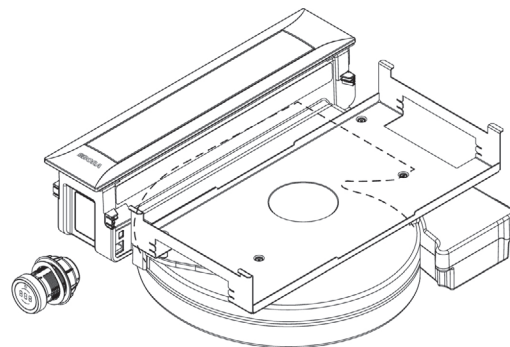
Product:	Cooktop extractor with integrated fan and central unit of the modular cooktop extractor system BORA Professional 3.0; depending on whether an exhaust air or recirculation model is chosen, further components (e.g. odour filter, wall sleeve) complete the extractor; can be combined with different cooktops
Product highlights:	Intuitive control knob with analogue/digital operation (knob ring + touch surface), automatic cover flap for opening and closing the air inlet opening.
Minimum installation dimensions: (1 extractor, 2 cooktops)	Kitchen unit with a min. width of 90 cm
Safety and warning information:	See operating and installation instructions
Energy efficiency class:	 (applies to the exhaust air model)

PKAS3/PKAS3AB

Pro cooktop extractor system with integrated fan (...All Black)

Technical data

Supply voltage	220-240 V
Frequency	50/60 Hz
Maximum power consumption	550 W
Mains supply cable length	2 m
Dimensions (width × depth × height)	468 × 540 × 199 mm
Weight (incl. accessories/packaging)	12.5 kg
Surface material	Stainless steel 1.4016
Cooktop extractor power levels	1-9, P
Duct connection	BORA Ecotube



Product description

- Modular system
- Integrated fan
- Intuitive control knob
- Automatic cover flap
- Integrated drip tray
- Stainless steel grease filter
- Central components for the entire system

Functions

- Automatic extractor function
- Automatic after-run
- Power setting
- Filter service life and filter service display (recirculation only)
- Cleaning function
- Short-time timer
- Super simple mode

Safety features

Child lock, safety shut-down, anti-trap protection

Scope of delivery

Pro cooktop extractor system with integrated fan PKAS3/PKAS3AB, control knob, cover flap, stainless steel grease filter, filter tray, maintenance tray, control knob connection cable, mains supply cable with type E + F plugs, operating and installation instructions, installation accessories

Accessories

Stainless steel grease filter PKA1FF, cover flap PKA1VK/PKA1VKAB, filter tray PKA1FW, mains supply cable type I UNLI (AUS) / type J UNLJ (CH) / type G UNLG (GB-IE) / type B UNLB (PH) / type H UNLH (IL)

Product and planning information

- Suitable for use as a recirculation or exhaust system
- Duct connection on the back of the appliance
- Suitable for use with all BORA Professional 3.0 cooktops
- Up to 2 cooktops can be connected to each cooktop extractor
- Long or complex exhaust channels possible using an additional fan module
- Customisable worktop height
- Worktop depth ≥ 700 mm
- Flush installation or surface mounting possible
- The drawers/ shelves in the base unit must be removable (for maintenance/cleaning)
- Suitable for use with all BORA sockets

