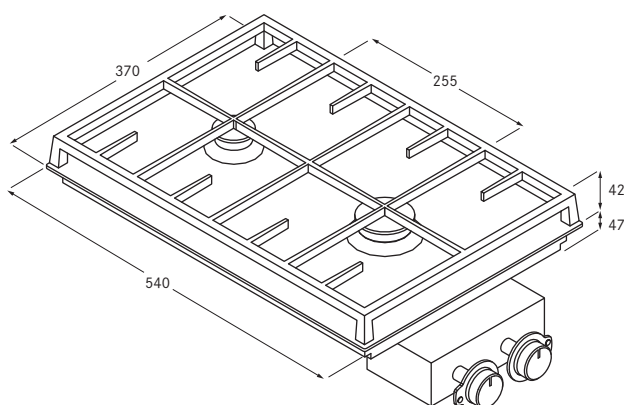


## BORA gas glass ceramic cooktop with 2 cooking zones



Technical data	
Supply voltage	220 - 240 V
Frequency	50/60 Hz
Maximum power consumption	5.75 kW
Maximum power rating	0.8 W
Minimum fuse protection	1x0.5 A
Power control	Freely adjustable
Weight (incl. accessories/packaging)	12.4 kg
Surface material	SCHOTT CERAN®
Power supply cable	1.5 m
Dimensions (width x depth x height)	
Cooktop	370x540x47 mm
Pan support	370x540x42 mm
Front high-power burner	600 - 4000 W
Rear normal burner	350 - 1750 W

- Product description**
- 2-flame gas glass ceramic cooktop with high-power and normal burners
  - Childproofing feature
  - Both burners are childproofed
  - Removable pan support
  - Nozzles for liquid gas 30 mbar/50 mbar must be ordered separately
  - Please note the local regulations and connection requirements applicable to gas cooktops!

- Accessories (can be ordered separately)**
- PGDS30 nozzle set 28 - 30/37 mbar liquid gas
  - PGDS50 nozzle set 50 mbar liquid gas
  - PGKV10 100 cm cable extension
  - Air baffle PGLB0

- Scope of delivery**
- PG 11 gas glass ceramic cooktop
  - PGSK2 control box (power level sleeve, control knob, adjustment plates)
  - Mounting rail and straps
  - Cast iron pan support
  - Air baffle
  - Nozzle set, 20 mbar, liquid gas
  - Flexible connection tube (gas) for simple installation
  - Glass ceramic scraper
  - Drilling template
  - Height adjustment plate set
  - Operating and installation instructions
  - Power supply cable

