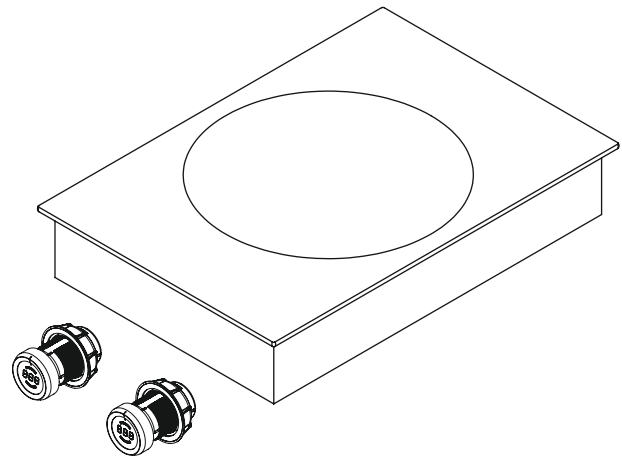
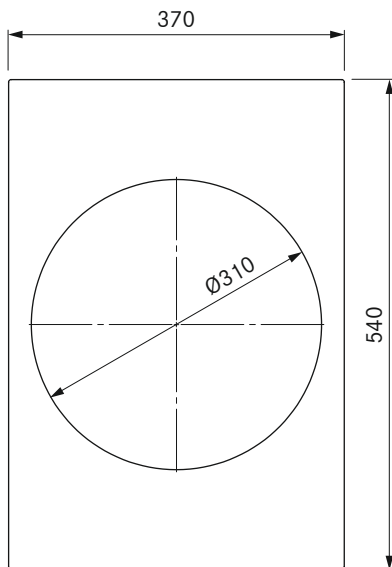
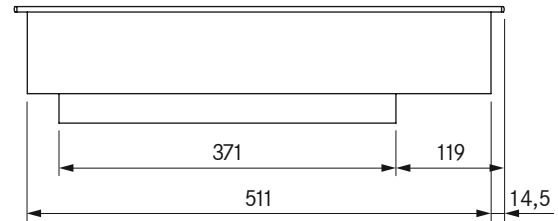
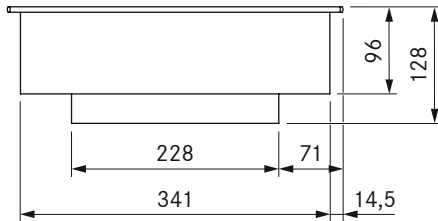


## BORA induction glass ceramic wok



Technical data	
Supply voltage	220 - 240 V
Frequency	50 Hz
Maximum power consumption	3.0 kW
Maximum power rating	3.0 kW
Minimum fuse protection	1 x 16 A
Power levels	1 - 9, P
Weight (incl. accessories/packaging)	11.0 kg
Surface material	SCHOTT CERAN®
Power supply cable	1.5 m
Dimensions (WxDxH)	370 x 540 x 128 mm
Front cooking zone size	Ø 310 mm
Front cooking zone power	2400 W
Front cooking zone power setting	3000 W

Product description
■ Power setting
■ Residual heat display
■ Pause function
■ Timer function
■ Configuration menu
■ Cooking zone indicator on the control knob
■ Demo mode
■ Pan size recognition
■ Automatic heat-up function
■ Digital power display on the control knob
■ Childproofing feature
■ Safety shut-down

Scope of delivery
■ Induction glass ceramic wok PKIW1
■ 2 x control knob
■ Mounting straps
■ Glass ceramic scraper
■ Height adjustment plate set
■ Operating and installation instructions
■ 2 x connection cable control knob
■ Connection cable for the extractor
■ Power supply cable (L, N, PE)

Accessories
■ Induction wok
■ Demeyere Procontrol, Controlinduc
■ stainless steel, Ø 360 mm, HIW1

Important planning instructions
■ The installation height of 128 mm means that the device cannot be installed over the exhaust ducting.
■ Make sure that the area below the induction cooktop is sufficiently ventilated.
■ Wok trough diameter 310 mm
■ Please make sure to use a wok that loses its magnetic properties when the temperature rises (overheating protection). <b>We recommend the use of the wok available from us.</b>