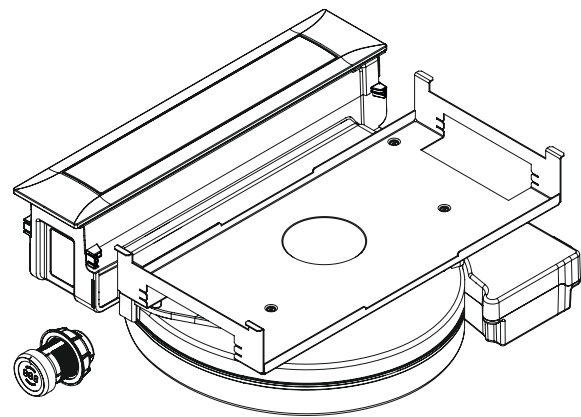
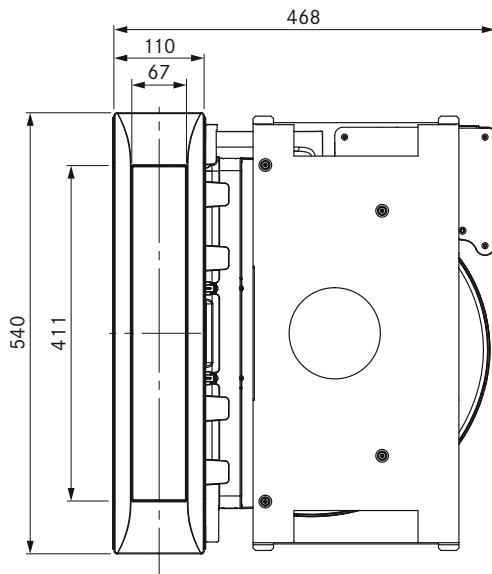
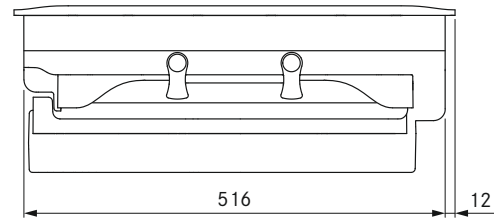
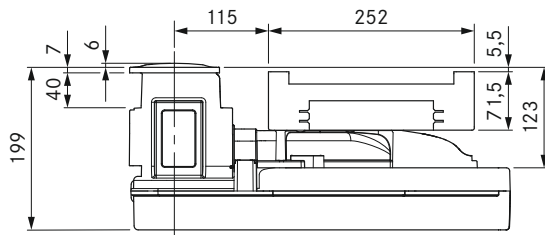


Professional cooktop extractor system



Technical data

Supply voltage	220 - 240 V
Frequency	50/60 Hz
Maximum power consumption	700 W
Dimensions (WxDxH)	468 x 540 x 199 mm
Weight (incl. accessories/packaging)	12.5 kg
Power levels	1 - 9

Product description

- Control-knob-based power control
- Power display
- Electrical cover flap
- Cover flap sensor
- Stainless steel grease filter
- Grease filtering sensor
- Automatic cooktop extractor function
- Automatic after-run
- Filter service display
- Interface for external devices
- Safety shut-down
- Installation type: flush or surface-mounted
- Connection point for an additional BORA fan module

Scope of delivery

- Operating and installation instructions
- Cooktop extractor
- Height adjustment plate set
- Installation clamps
- Control knob
- Stainless steel grease filter
- Filter tank
- Maintenance tank
- Cover flap
- Cable control knob - interface/extractor
- Power supply cable with type E + F plugs

Planning instructions

- Can be used in a recirculation or exhaust system (through external duct modules,...)
- Can be combined with all BORA cooktops and BORA Universal fan modules
- The worktop height can be individually adjusted
- Worktop depth: ≥ 700
- The drawers and/or shelves in the floor unit must be removable for maintenance and cleaning purposes
- The BORA Ecotube duct system is perfectly tailored to the BORA cooktop extractors and fulfils all the necessary requirements such as the minimum cross-section of $\geq 176 \text{ cm}^2$.

Accessories

- Power supply cables type I, J, G