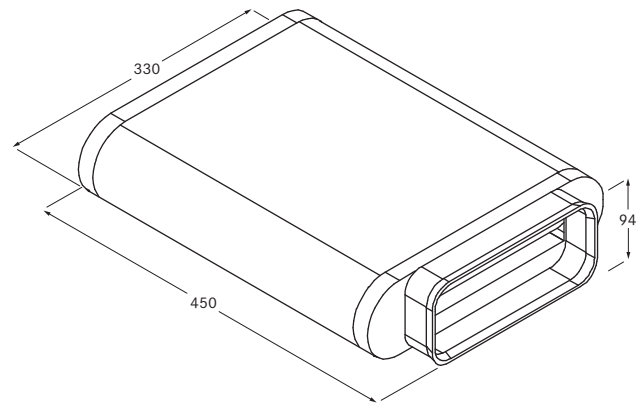


BORA recirculation unit



Technical data	
Activated charcoal foam	1.0 kg
Outflow	Approx. 0.5 m/s
Material	
Housing	Plastic
filter	Fine filter non-woven material Activated charcoal foam
Dimensions (width x depth x height) (with connection fittings)	330x450x94 mm
Shallow duct connection (internal dimensions)	222x89 mm
Weight (incl. packaging)	2 kg
Service life	Approx. 1 year

Product description
<ul style="list-style-type: none"> ■ To clean the air in the building ■ Diverse installation options thanks to low space requirement ■ Simple handling during installation and replacement ■ Connection designed for the plinth fan or duct system Naber Compair® flow 150 ■ Include revision option in plans ■ Ensure a minimum return flow aperture of 500 cm² (e.g. plinth overlay or slatted plinth)

Scope of delivery
<ul style="list-style-type: none"> ■ UUE1 recirculation unit ■ Operating and installation instructions
Important planning instructions
<p>Clearance of at least 4 cm is required to replace the recirculation unit.</p>