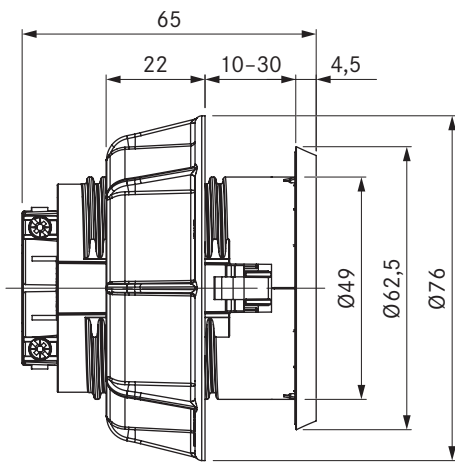
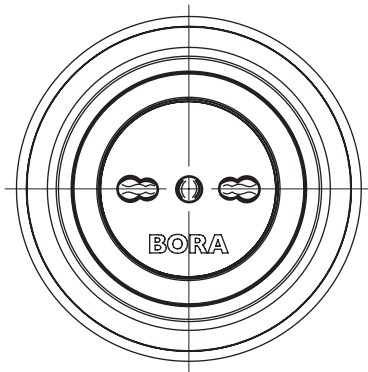


USTL / USTLAB

BORA socket type L / BORA socket type L All Black



technical data

Supply voltage	220 - 240 V
Minimum fuse protection	16 A (type L)
Dimensions (diameter)	Ø 76 x 60,5 mm
Cover dimensions (WxDxH)	Ø 62,5 x 4,5 mm

Product description

- Connectivity for small electrical kitchen appliances
- Suitable for IT, SM
- Spacing ring in the scope of delivery
- Integrated 2 m connection cable
- Uniform cover drill diameter
- matching accessories
- Complete BORA system

Scope of delivery

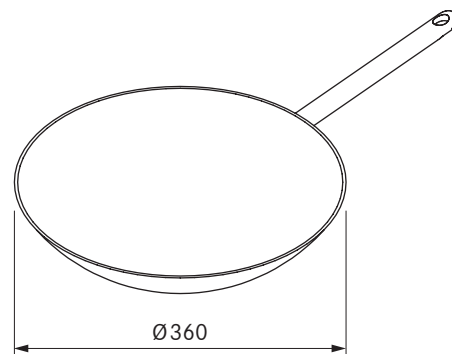
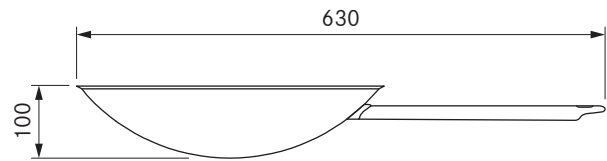
- Socket USTL
- 2 m connection cable with country-specific plug

product- and planning instructions

- Only for unit installation in kitchen cupboards with a front thickness of 10 mm to 30 mm
- Panel drill hole Ø 50 ±0,5 mm

HIW1

BORA induction wok pan



technical data

Dimensions (diameter)	Ø 360 mm
Material	Multi-layer material up to the edge with special coating
Surface material	Silvinox®
Capacity	Approx. 6 l

Product description

- Induction possible
- Multi-layer material with special alloy
- Handle made of high-quality stainless steel
- matching accessories

Scope of delivery

- HIW1 BORA induction wok