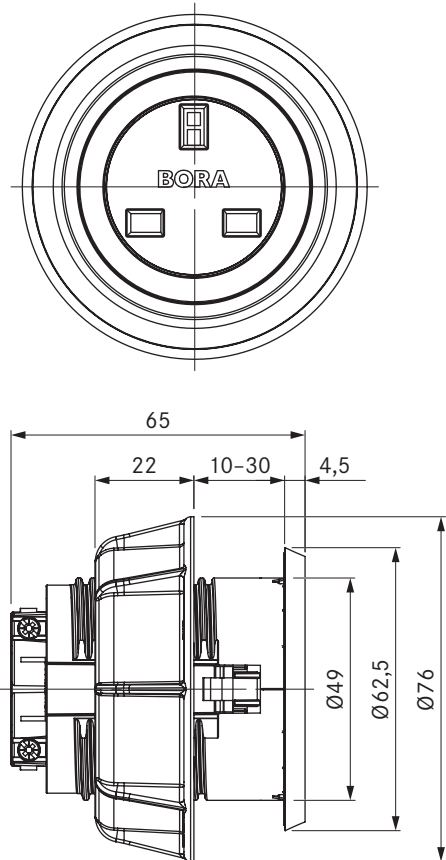


USTG / USTGAB

BORA socket type G / BORA socket type G All Black



technical data

Supply voltage	220 - 240 V
Maximum rated power	13 A (type G)
Dimensions (diameter)	Ø 62.5 mm
Dimensions (thickness)	4.5 mm

Product description

- Connectivity for small electrical kitchen appliances
- Suitable for UK, AE, SG
- Spacing ring in the scope of delivery
- Integrated 2 m connection cable
- Uniform cover drill diameter
- matching accessories
- Complete BORA system

Scope of delivery

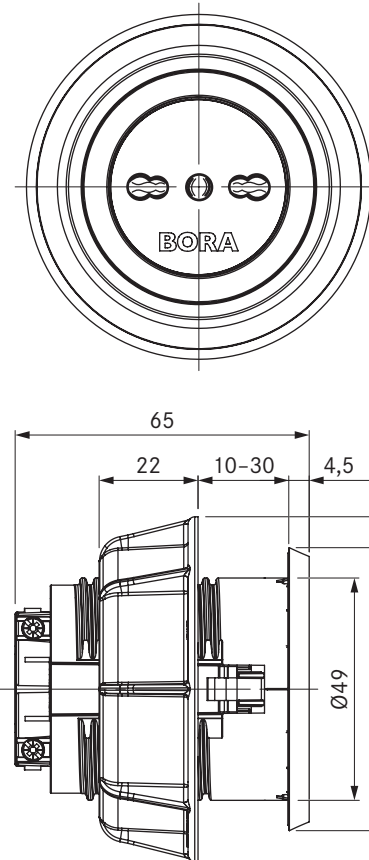
- Socket USTG
- 2 m connection cable with country-specific plug

product- and planning instructions

- A practical way of connecting electrical domestic appliances
- Only for unit installation in kitchen cupboards with a front thickness of 10 mm to 30 mm

USTL / USTLAB

BORA socket type L / BORA socket type L All Black



technical data

Supply voltage	220 - 240 V
Maximum rated power	16 A (type L)
Dimensions (diameter)	Ø 62.5 mm
Dimensions (thickness)	4.5 mm

Product description

- Connectivity for small electrical kitchen appliances
- Suitable for IT, SM
- Spacing ring in the scope of delivery
- Integrated 2 m connection cable
- Uniform cover drill diameter
- matching accessories
- Complete BORA system

Scope of delivery

- Socket USTL
- 2 m connection cable with country-specific plug

product- and planning instructions

- A practical way of connecting electrical domestic appliances
- Only for unit installation in kitchen cupboards with a front thickness of 10 mm to 30 mm