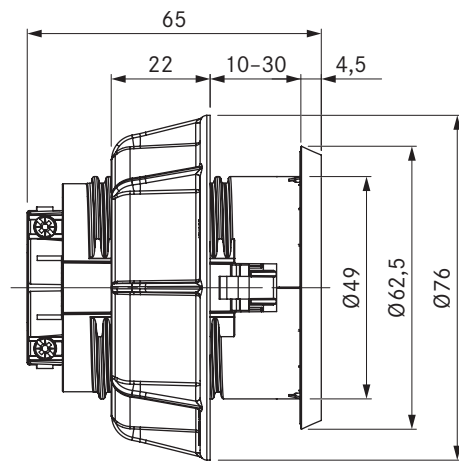
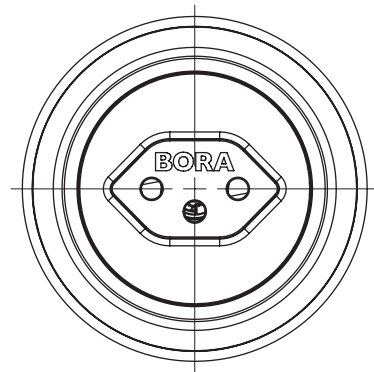


# USTJ / USTJA

BORA socket type J / BORA socket type J All Black



## technical data

Supply voltage	220 - 240 V
Minimum fuse protection	10 A (type J)
Dimensions (diameter)	Ø 76 x 60,5 mm
Cover dimensions (WxDxH)	Ø 62,5 x 4,5 mm

## Product description

- Connectivity for small electrical kitchen appliances
- Suitable for CH, LI
- Spacing ring in the scope of delivery
- Integrated 2 m connection cable
- Uniform cover drill diameter
- matching accessories
- Complete BORA system

## Scope of delivery

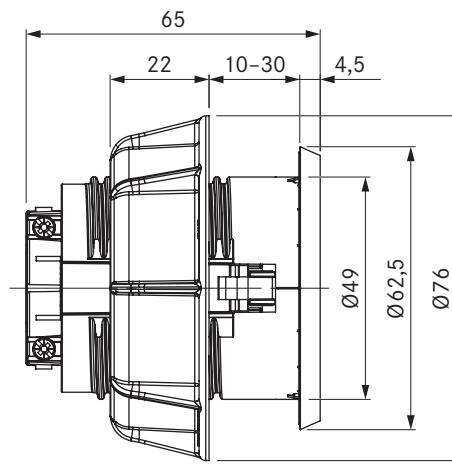
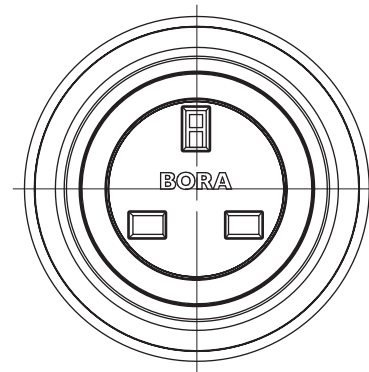
- Socket USTJ
- 2 m connection cable with country-specific plug

## product- and planning instructions

- Only for unit installation in kitchen cupboards with a front thickness of 10 mm to 30 mm
- Panel drill hole Ø 50 ±0.5 mm

# USTG / USTGAB

BORA socket type G / BORA socket type G All Black



## technical data

Supply voltage	220 - 240 V
Minimum fuse protection	13 A (type G)
Dimensions (diameter)	Ø 76 x 60,5 mm
Cover dimensions (WxDxH)	Ø 62,5 x 4,5 mm

## Product description

- Connectivity for small electrical kitchen appliances
- Suitable for UK, AE, SG
- Spacing ring in the scope of delivery
- Integrated 2 m connection cable
- Uniform cover drill diameter
- matching accessories
- Complete BORA system

## Scope of delivery

- Socket USTG
- 2 m connection cable with country-specific plug

## product- and planning instructions

- Only for unit installation in kitchen cupboards with a front thickness of 10 mm to 30 mm
- Panel drill hole Ø 50 ±0.5 mm