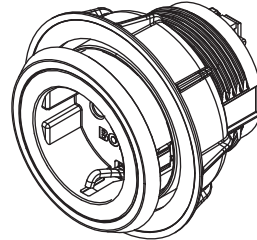


DE Montageanleitung

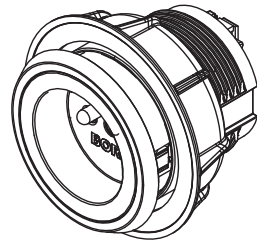
BORA Steckdosen

EN Installation Manual

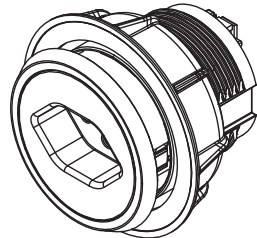
BORA sockets



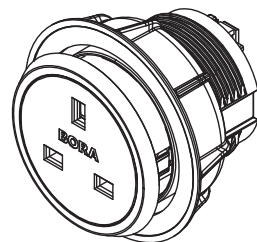
USTF, USTFAB



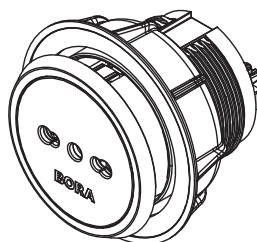
USTE, USTEAB



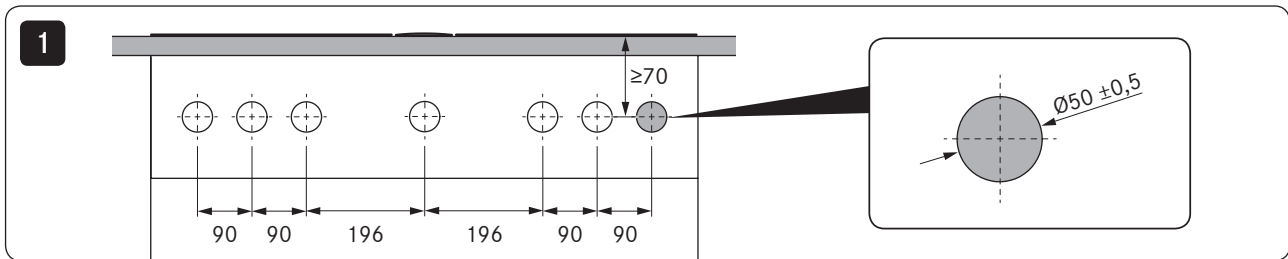
USTJ, USTJAB



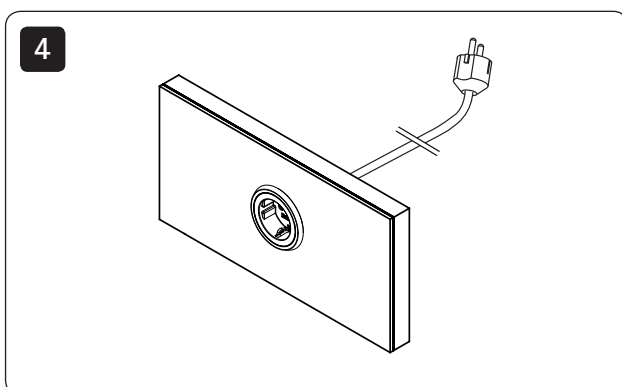
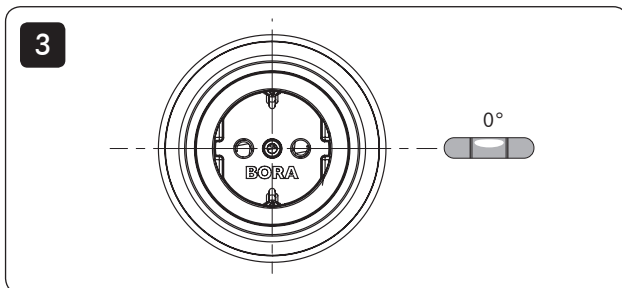
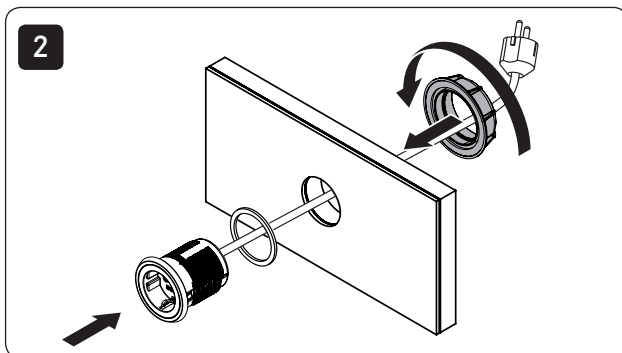
USTG, USTGAB



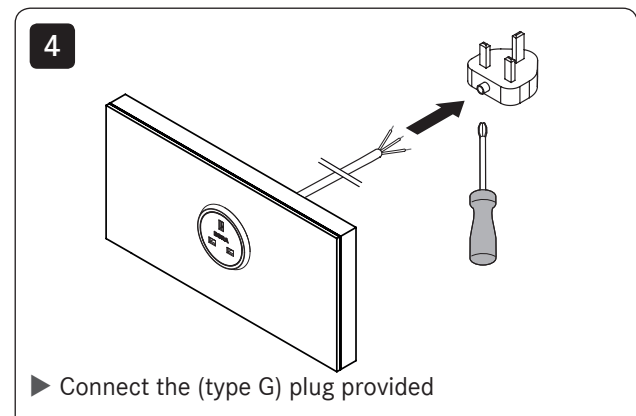
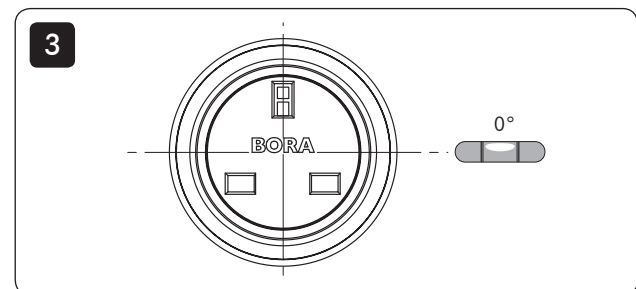
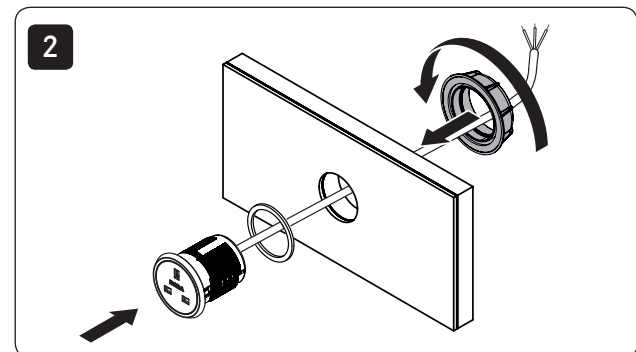
USTL, USTLAB



**USTF, USTFAB/USTE, USTEAB/
USTJ, USTJAB/USTL, USTLAB**



USTG, USTGAB



Installation only by persons with the relevant electrical engineering qualifications and experience.

Improper installation could endanger your own life or the life of other users of the electrical systems. Improper installation also causes the risk of severe damage to property, including fires.

You are personally liable in the event of personal injury or damage to property.

Consult an electrician!