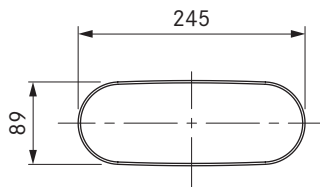
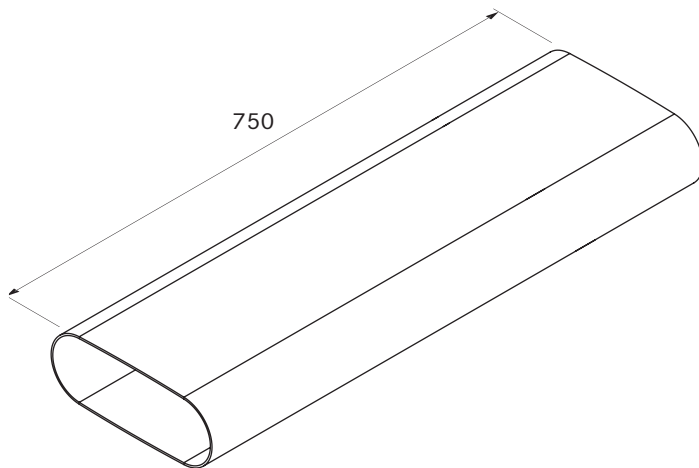


EF750/1

BORA Ecotube shallow duct 750mm



technical data

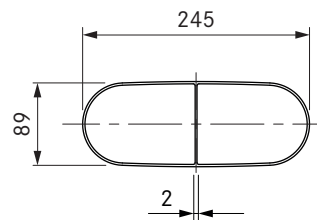
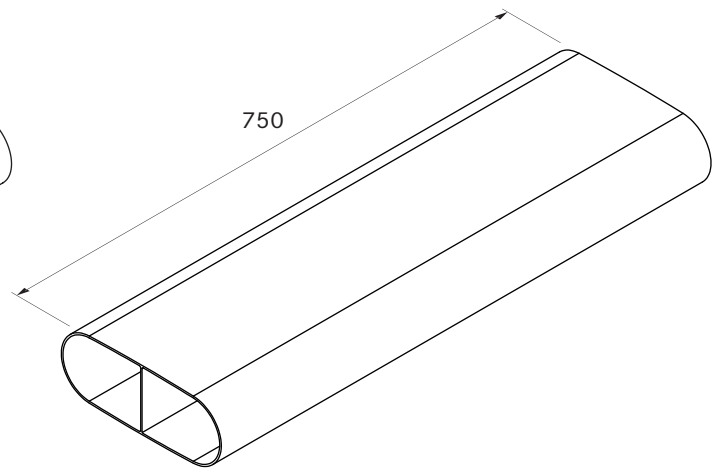
Dimensions (WxDxH)	245 x 750 x 89 mm
Weight	1.6 kg
Material property	B1 according to DIN 4102-1

Product description

- Optimal extraction performance with the lowest possible noise level
- own duct system
- Full flexibility in the exhaust ducting
- 100% tight without additional taping
- Individually shortenable
- Polished inner walls and oval cross section
- Complete BORA system

EFS750/1

BORA Ecotube shallow duct with a bar 750mm



technical data

Dimensions (WxDxH)	245 x 750 x 89 mm
Weight	1.7 kg
Material property	B1 according to DIN 4102-1

Product description

- Especially suited for installation in the floor structure
- Optimal extraction performance with the lowest possible noise level
- own duct system
- Full flexibility in the exhaust ducting
- 100% tight without additional taping
- Individually shortenable
- Polished inner walls and oval cross section
- Complete BORA system