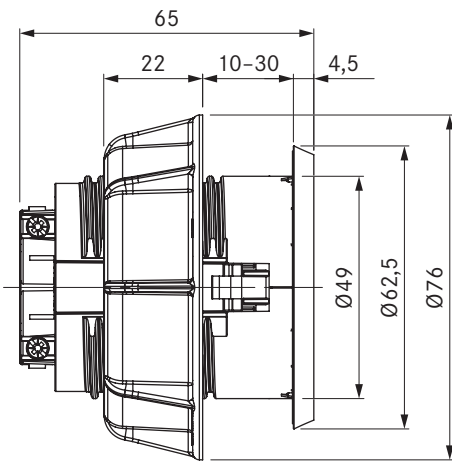
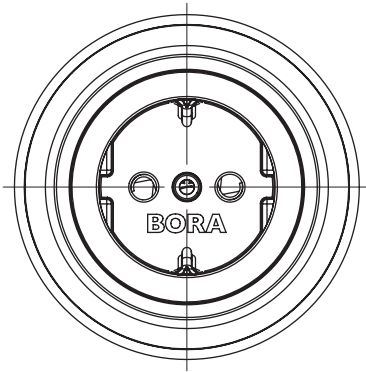


# USTF / USTFAB

BORA socket type F / BORA All Black socket type F



## technical data

Supply voltage	220 - 240 V
Minimum fuse protection	16 A (type F)
Dimensions (diameter)	Ø 76 x 60,5 mm
Cover dimensions (WxDxH)	Ø 62,5 x 4,5 mm

## Product description

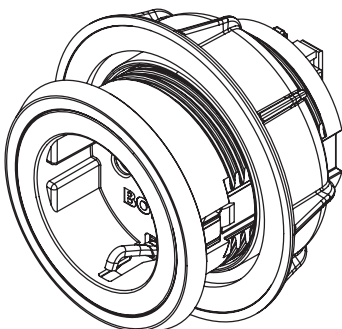
- Connectivity for small electrical kitchen appliances
- Integrated childproofing feature
- Suitable for DE, ES, IT, AT, LU, PT, RU, BR, SE, NL
- Spacing ring in the scope of delivery
- Integrated 2 m connection cable
- Uniform cover drill diameter
- matching accessories
- Complete BORA system

## Scope of delivery

- Socket USTF
- 2 m connection cable with country-specific plug

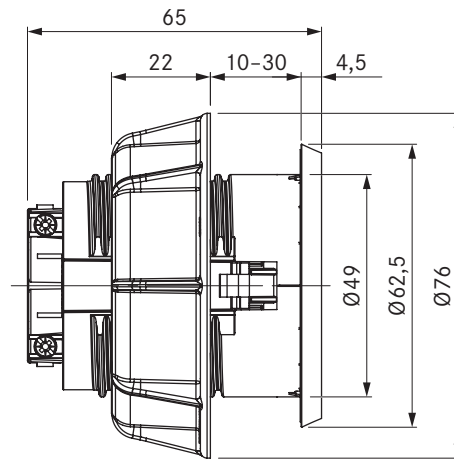
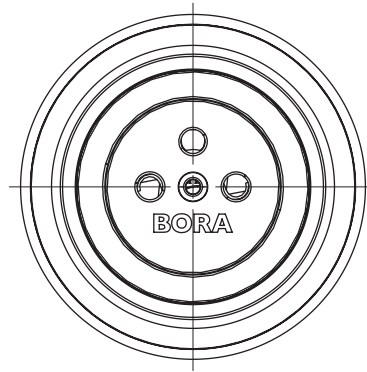
## product- and planning instructions

- Only for unit installation in kitchen cupboards with a front thickness of 10 mm to 30 mm
- Panel drill hole Ø 50 ±0.5 mm



# USTE / USTEAB

BORA socket type E / BORA socket type E All Black



## technical data

Supply voltage	220 - 240 V
Minimum fuse protection	16 A (type E)
Dimensions (diameter)	Ø 76 x 60,5 mm
Cover dimensions (WxDxH)	Ø 62,5 x 4,5 mm

## Product description

- Connectivity for small electrical kitchen appliances
- Integrated childproofing feature
- Suitable for FR, PL, BE, CZ, SK
- Spacing ring in the scope of delivery
- Integrated 2 m connection cable
- Uniform cover drill diameter
- matching accessories
- Complete BORA system

## Scope of delivery

- Socket USTE
- 2 m connection cable with country-specific plug

## product- and planning instructions

- Only for unit installation in kitchen cupboards with a front thickness of 10 mm to 30 mm
- Panel drill hole Ø 50 ±0.5 mm