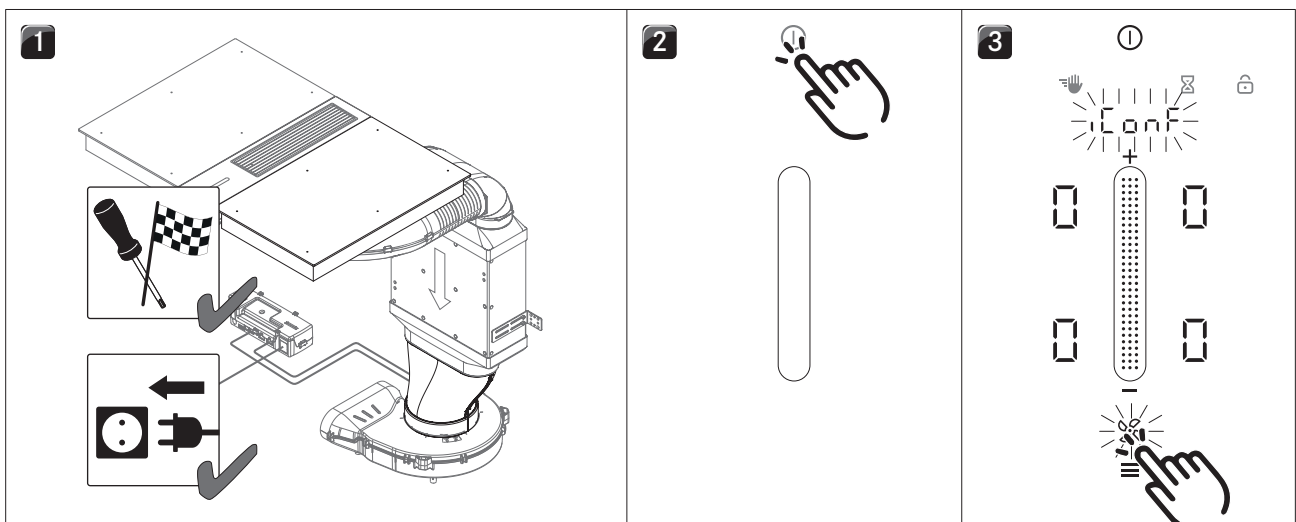


- DE** Erstinbetriebnahme System BORA Classic 2.0
Grundkonfiguration durchführen
- EN** Initial operation BORA Classic 2.0 system
Carrying out the basic configuration
- ES** Primera puesta en servicio sistema BORA Classic 2.0
Realizar la configuración básica
- FR** Première mise en service système BORA Classic 2.0
Exécution de la configuration de base
- IT** Prima messa in funzione sistema BORA Classic 2.0
Eseguire la configurazione di base
- NL** Eerste gebruik BORA Classic 2.0 systeem
Basisconfiguratie uitvoeren

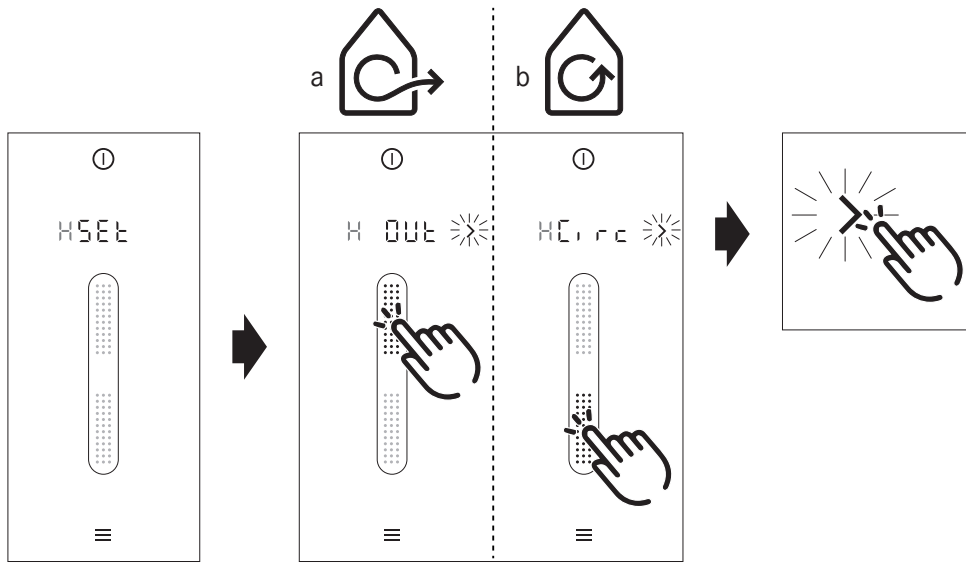


www.bora.com/service/configuration-classic-2-0



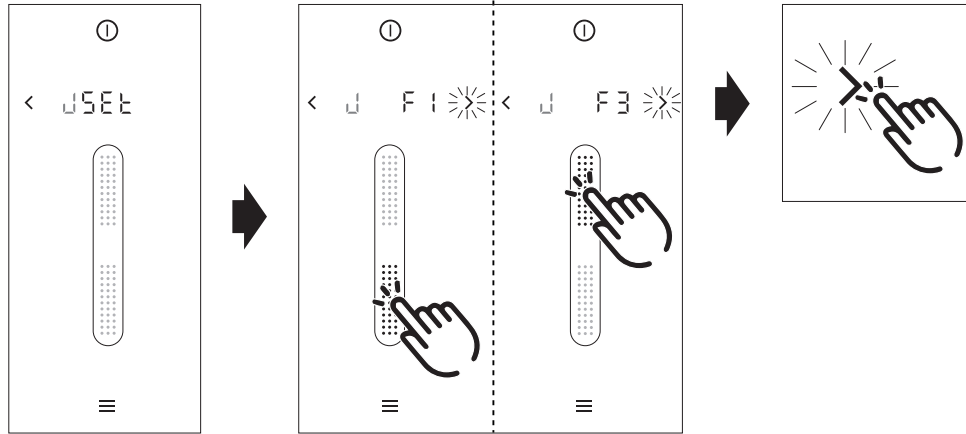
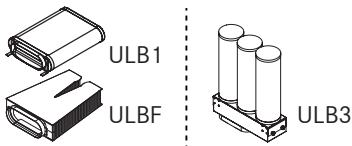
AIR system type

4



Filter type
(only in case of recirculation)

4b



FAN identification

5

