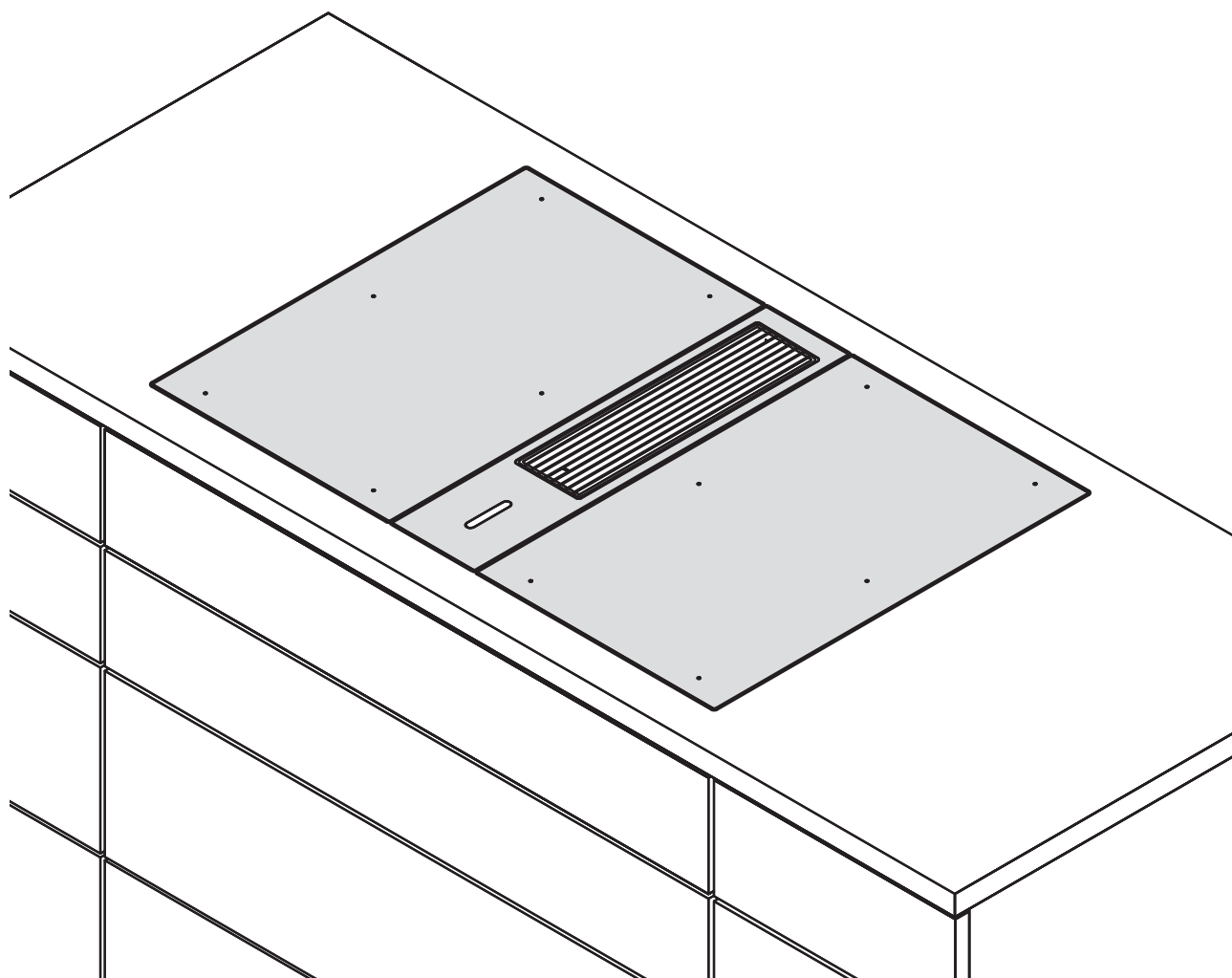


EN BORA Classic 2.0 system installation instructions

Cooktop extractor and cooktops



C2XIMEN-004

Installation instructions:

Original

Translation

Manufacturer

BORA Vertriebs GmbH & Co KG

Innstraße 1
6342 Niederndorf
Austria

Contact

T +43 (0) 5373/62250-0
mail@bora.com
www.bora.com

The distribution and duplication of this document, as well as the use and disclosure of its contents are prohibited unless expressly authorised.

Great care was taken when devising these operating and installation instructions. However, it may be the case that later technical changes or adaptations to the system software have not yet been added or the corresponding contents have not yet been modified. We apologise for this. A up-to-date version can be requested from the BORA Service team. Misprints and errors excepted.

© BORA Vertriebs GmbH & Co KG

All rights reserved.

Table of Contents

1	General information	4		
1.1	Target group.....	4		
1.2	Validity	4		
1.3	Other applicable documents	4		
1.4	Data protection	4		
1.5	Presentation of information.....	5		
2	Safety	6		
2.1	General safety instructions	6		
2.2	Safety information for installation	6		
2.3	Safety instructions – disassembly and disposal..	8		
2.4	Safety instructions – spare parts	9		
2.5	Use as intended	9		
3	Technical data	10		
3.1	CKA2	10		
3.2	CKFI.....	11		
3.3	CKI	12		
3.4	CKIW	13		
3.5	CKCH.....	14		
3.6	CKCB.....	15		
3.7	CKG	16		
3.8	CKT.....	17		
4	Installation	18		
4.1	General installation information	18		
4.1.1	Operating the cooktop extractor with a fireplace that depends on the air in the room... 18			
4.2	Checking the delivery.....	18		
4.2.1	Scope of delivery of the cooktop extractor	19		
4.2.2	Scope of delivery of the cooktops.....	19		
4.3	Tools and aids	19		
4.4	Assembly instructions	19		
4.4.1	Safety clearances.....	19		
4.4.2	Worktop and kitchen units	19		
4.4.3	Recirculation when using the cooktop extractor as a recirculation system.....	20		
4.4.4	Special assembly instructions for gas cooktop CKG	20		
4.5	Cut-out dimensions	21		
4.5.1	Flush installation	22		
4.5.2	Surface mounting.....	22		
4.6	Installation dimensions.....	23		
4.7	Installation options.....	24		
4.8	Assembling the extraction system	25		
4.8.1	Assembling cooktop extractor CKA2.....	25		
4.9	Installing the cooktop extractor	25		
4.9.1	Fitting and positioning the cooktop extractor ...	26		
4.10	Installing the duct system	26		
4.10.1	Fitting the duct system to cooktop extractor CKA2	26		
4.10.2	Installing the additional fan	28		
4.11	Installing the cooktops	28		
4.11.1	Fitting and positioning the cooktops.....	28		
4.11.2	Securing the cooktop extractor.....	29		
4.11.3	Securing the cooktops	29		
4.12	Connecting external switch contacts	30		
4.13	Establishing communication and power connection	32		
4.13.1	Establishing contact between the cooktop extractor and cooktops	32		
4.13.2	Fitting split ferrite sleeves.....	32		
4.13.3	Establishing contact between the operating unit and control unit.....	33		
4.13.4	Connecting fans to the control unit.....	33		
4.13.5	Positioning the control unit	33		
4.13.6	Connecting to the mains	33		
4.14	Gas installation (only in the case of gas cooktop CKG).....	34		
4.14.1	Ventilation	34		
4.14.2	Gas connection	34		
4.14.3	Changing the gas type.....	35		
4.14.4	Gas configuration	36		
4.15	Initial operation	36		
4.15.1	Function test	37		
4.16	Sealing the devices	37		
4.17	Handover to user.....	37		
5	Decommissioning, disassembly and disposal	38		
5.1	Decommissioning.....	38		
5.2	Disassembly	38		
5.3	Environmentally-friendly disposal	38		

1 General information

1.1 Target group

These installation instructions apply to the following target groups:

Target group	Requirements
Ambitious DIYers	Ambitious DIYers can independently conduct all joinery and installation work providing they possess the necessary skills and expertise. They must never attempt to connect the electricity and gas themselves.
Installation specialists	Installation specialists are authorised to conduct all joinery and installation work in line with existing regulations. The electricity and gas connections must be certified by a certified engineer from the applicable specialist field prior to commissioning.
Electricians	The electrical connection may only be established by a certified engineer. He/she also assumes responsibility for the proper electrical installation and commissioning.
Qualified gas technicians	The gas connection may only be established by a certified tradesperson. He/she also assumes responsibility for the proper gas installation and commissioning.

Tab. 1.1 Target groups

INFO BORA Holding GmbH, BORA Vertriebs GmbH & Co KG, BORA APAC Pty Ltd and BORA Lüftungstechnik GmbH – hereinafter referred to as BORA – does not assume any liability for damage arising from disregard for or non-adherence to these documents and improper installation! The electricity and gas supply must be connected by a certified specialist. Installation may only be carried out in accordance with the applicable standards, regulations and laws. All safety and warning information, as well as the handling instructions in the operating and installation instructions must be observed.

1.2 Validity

INFO These instructions describe the BORA Classic 2.0 system with software version 03.00.

These instructions apply to several appliance versions. It is therefore possible that some of the features described do not apply to your appliance. The details of the figures contained herein may differ from some appliance versions and are to be understood as schematic diagrams.

1.3 Other applicable documents

Other documents apply to these instructions and must be taken into account, particularly the BORA Classic 2.0 system operating instructions.

Please by all means adhere to all documents that form part of the scope of delivery.

INFO BORA does not assume any liability for damage arising from non-adherence to these documents.

Directives

The appliances meet the following EU/EC directives:

2014/30/EU EMC Directive
 2014/35/EU Low Voltage Directive
 2009/125/EC Ecodesign Directive
 2011/65/EU RoHS Directive

Regulations

Gas appliances meet the following EU directives:
 (EU) 2016/426 regulation on appliances burning gaseous fuels

1.4 Data protection

During operation your cooktop extractor saves pseudonymised data such as menu settings entered by you, operating hours of the individual technical units and the number of functions selected. Furthermore, your cooktop extractor documents errors in combination with the number of operating hours.

The data can only be read manually via your cooktop extractor, thus the decision is yours.

The saved data then enable a rapid error search and troubleshooting in case of service.

1.5 Presentation of information

We use standard formatting, numbering, symbols, safety instructions, terms and abbreviations so that you can work quickly and safely when using this manual.

Instructions are indicated with an arrow.

▶ Always follow all instructions in the prescribed order.

Enumerations are indicated with a square bullet point at the start of the line.

■ Enumeration 1

■ Enumeration 2

INFO Information notes point to special features that must be taken into account.

Safety and warning instructions

The safety and warning instructions in this manual are emphasised with symbols and signal words.

Safety and warning instructions are structured as follows:

WARNING SYMBOL AND SIGNAL WORD!

Type and source of danger




Results of non-compliance

▶ Measures to minimise risk

Please note:

■ The warning symbol draws your attention to the risk.

■ The signal word indicates the severity of that risk.

Warning symbol	Signal word	Risk
	Danger	Indicates an immediate, hazardous situation which causes death or serious injury if not respected.
	Warning	Indicates a potentially hazardous situation which can cause death or serious injury if not respected.
	Caution	Indicates a potentially hazardous situation which can cause minor injury if not respected.
–	Caution	Indicates a situation which can cause property damage if not respected.

Tab. 1.2 Meaning of the warning symbols and signal words

2 Safety

2.1 General safety instructions

INFO The appliance complies with the stipulated safety requirements. The user is responsible for appliance cleaning and maintenance as well as its safe use. Improper use can lead to personal injury and damage to property.

- The operating and installation instructions contain important information about installation and operation. These enable you to protect yourself against injuries and prevent damage to the appliance. Contact details for further information as well as application and usage questions can be found on the back.
- The term “appliance” is used to refer to cooktops, cooktop extractors or cooktops with integrated cooktop extractor.
 - ▶ Read the operating and installation instructions fully before using the appliance for the first time.
 - ▶ Always store the operating and installation instructions within easy reach so that they can be accessed if required.
 - ▶ Pass the operating and installation instructions to the next owner if you sell the appliance.
 - ▶ Conduct all work extremely attentively and conscientiously.
 - ▶ Check the appliance for visible damage when unpacking it.
 - ▶ Do not connect a damaged appliance.
 - ▶ Do not connect the appliance to the mains until the duct system has been installed or the recirculation filter has been fitted.
 - ▶ Only use the connection cables supplied in the scope of delivery.
 - ▶ Do not use the appliance until installation is complete. This is the only way to ensure safe operation.
 - ▶ Make sure contact with hot cooking surfaces is not possible.
 - ▶ Do not place any objects on the operating panel or the cooktop extractor air inlet nozzle.
 - ▶ Switch off the appliance after use.
 - ▶ Keep pets away from the appliance.

CAUTION!

Appliance components can cause injury if dropped!

Appliance components such as pan supports, operating controls, covers, grease filters, etc. can cause injury if dropped.

- ▶ Place any appliance components that have been removed in a safe place near the appliances.
- ▶ Ensure that no components removed from the appliance can fall on the floor.

Unauthorised modifications

Unauthorised modifications can cause the appliance to pose risks.

- ▶ Do not make any changes to the appliance.

2.2 Safety information for installation

The appliance must only be installed and assembled by trained specialists who are familiar with and comply with the standard national regulations and supplementary regulations of the local utility companies.

Work on electrical components must be conducted by trained electrical personnel.

The electrical safety of the appliance is only guaranteed if it is connected to a protective conductor system that has been installed in line with regulations. Ensure that this basic safety precaution is met.

- ▶ Check the appliance for visible damage prior to installation.
- ▶ Do not install any damaged appliance.
- A damaged appliance may put your safety at risk.
- Repair and maintenance work may only be carried out by specialists authorised by the manufacturer.

**DANGER!****Risk of asphyxiation!**

Packaging components (e.g. film, polystyrene) can be life-threatening for children.

- ▶ Store all packaging components out of reach of children.
- ▶ Dispose of the packaging properly and immediately.

**CAUTION!****Lifting heavy loads can cause back injuries!**

If not handled correctly, removing and installing the appliance can cause injuries to the limbs or torso.

- ▶ Removing the cooktop from the packaging is a two-person job.
- ▶ Placing the cooktop into the worktop cut-out is a two-person job.
- ▶ Use appropriate aids to prevent damage or injuries to limbs or torso.

2.2.1 Safety information for cooktop installation

**DANGER!****Risk of electric shock!**

Connecting the appliance to the mains incorrectly poses a risk of electric shock.

- ▶ Make sure that the appliance has a fixed connection to the mains voltage.
- ▶ Make sure that the appliance is connected to a properly installed protective conductor system.
- ▶ Make sure that technical equipment is provided to enable all of the appliance's poles to be disconnected from the mains with a contact opening width of at least 3 mm (LS switch and automatic circuit breakers, fuses, contactor).

Special safety information for gas cooktops

The gas connection may only be carried out by an authorised gas fitter in accordance with applicable legal regulations. Comply with local utility company regulations.

- ▶ The appliance is not suitable for installation or operation with accessories or components from third party suppliers.

**DANGER!****Risk of electric shock!**

The connection cable can be damaged if it comes into contact with hot cooking zones. A damaged connection cable can cause a (fatal) electrical shock.

- ▶ Make sure that the connection cable does not come into contact with hot cooking surfaces.
- ▶ Make sure that the connection cable does not become trapped or damaged.

**DANGER!****Risk of explosion from gas!**

Gas leaks can cause explosions and serious injuries.

- ▶ Keep ignition sources (naked flames, heaters) away.
- ▶ Close the gas supply and turn off the mains supply.
- ▶ Plug any leaks immediately.

2.2.2 Safety instructions – cooktop extractor installation



DANGER! **Risk of poisoning caused by combustion gases!**

When the cooktop extractor is used in exhaust mode, it draws in air from the room it is installed in and from neighbouring rooms. Without sufficient air, there will be a drop in air pressure. Toxic gases could be drawn out of the chimney or extraction ducting on a fireplace that depends on the room air and back into the room.

- ▶ Make sure that there is always a sufficient air supply.
- ▶ Only use reliable, tried-and-tested switching devices, (e.g. window contact switch, low pressure warning device) and have them approved by a qualified expert (certified chimney sweep).



DANGER! **Risk of electric shock!**

The control unit can contain residual charge and cause an electric shock.

- ▶ Do not touch exposed contacts on the control unit.



DANGER! **Risk of electric shock!**

Incorrect stripping of the connection cable to external switching devices results in a risk of electric shock.

- ▶ Ensure that the connection cable is secured with the strain relief clamp within the universal control unit.
- ▶ Ensure that the stated stripping lengths are adhered to.



DANGER! **Risk of electric shock and damage to property!**

A damaged operating unit can lead to a short circuit.

- ▶ Do not operate any appliance with a damaged operating unit.
- ▶ Inform a BORA Service technician and have the operating unit replaced.

Special safety information for exhaust air systems:

- ▶ Observe the duct length in the case of straight ducting between the fan and wall sleeve.
- It is necessary to plan a duct length of at least 90 cm between the fan exhaust opening and the wall sleeve exhaust opening.

2.3 Safety instructions – disassembly and disposal

The appliance must only be disassembled by trained specialists who are familiar with and comply with the standard national regulations and supplementary regulations of the local utility companies.

Work on electrical components must only be conducted by trained electrical personnel.



DANGER! **Risk of electric shock!**

Incorrectly disconnecting the appliance from the mains results in a risk of electric shock.

- ▶ Securely disconnect the appliance from the mains using LS switches, fuses, automatic circuit breakers or contactors.
- ▶ Use an authorised measuring device to ensure that there is no power to the appliance.
- ▶ Do not touch exposed contacts on the electronic unit as they can contain residual charge.

Special safety information for gas cooktops

Work on the gas connection may only be carried out by an authorised gas fitter in accordance with applicable legal regulations. Comply with the local regulations of the utility companies.

2.4 Safety instructions – spare parts



WARNING!

Risk of injury and damage to property!

Incorrect components can lead to personal injury or damage to the appliance. Modifications, additions or alterations to the appliance can lead to safety risks.

- ▶ Only use original spare parts for repairs.

INFO A damaged mains cable must be replaced by another suitable mains cable. This may only be done by an authorised member of the After Sales Service team.

INFO BORA Holding GmbH, BORA Vertriebs GmbH & Co KG, BORA APAC Pty Ltd and BORA Lüftungstechnik GmbH do not assume any liability for damage arising from non-adherence to the safety and warning information.

2.5 Use as intended

The appliance cannot be used at altitudes above 2000 m (metres above sea level).

Information on gas cooktops:

At an increased altitude the power of the burners on the cooktop is reduced.

The appliance is solely intended for preparing food in private households. This appliance is not intended for:

- outdoor use
- installation in vehicles
- heating rooms
- use in non-stationary installation sites (e.g. on ships)
- use with an external timer or a separate remote control system (remote operation)

Any use other than that specified in these operating and installation instructions or any use that goes beyond that which is described here is classed as unintended. BORA does not assume any liability for damages caused by improper use or incorrect operation.

All misuse is prohibited!

3 Technical data

3.1 CKA2

Parameter	Value
Supply voltage	220 - 240 V
Frequency	50/60 Hz
Power consumption (including external BORA Universal article fans)	max. 550 W
Fuse protection (internal)	TR 3.15 A
Dimensions (width x depth x height)	439 x 515 x 190 mm
Weight (incl. accessories/packaging)	7.5 kg
Surface material	SSG glass/1.4301 stainless steel and plastic
Cooktop extractor	
Power levels	1 - 5, P
Connection on the exhaust side	BORA Ecotube

Tab. 3.1 Technical data CKA2

Device dimensions CKA2

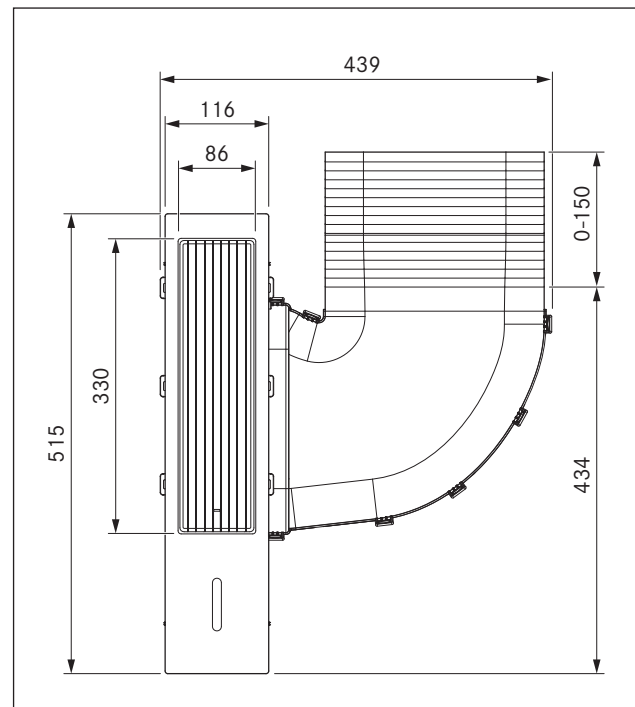


Fig. 3.1 CKA2 device dimensions top view

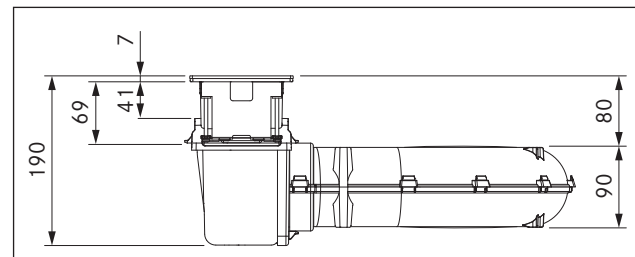


Fig. 3.2 CKA2 device dimensions front view

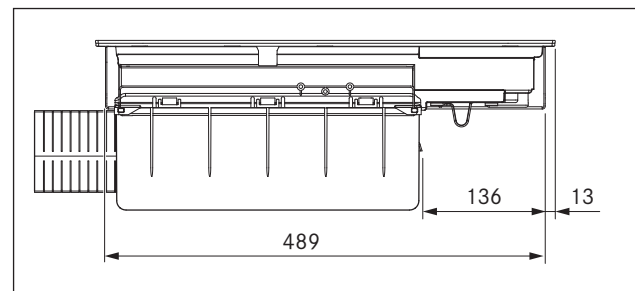


Fig. 3.3 CKA2 device dimensions side view

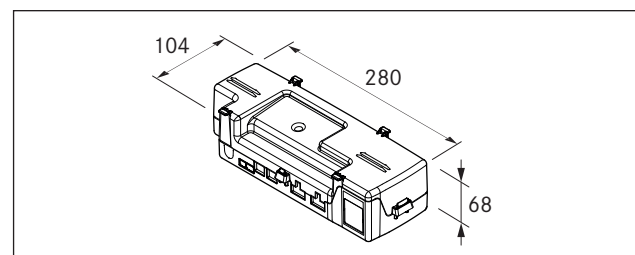


Fig. 3.4 Device dimensions control unit

3.2 CKFI

Parameter	Value	
Supply voltage	220 - 240 V	
Frequency	50/60 Hz	
Power consumption	3.68 kW	
Fuse protection	1 x 16 A	
Dimensions (width x depth x height)	327 x 515 x 58 mm	
Weight (incl. accessories/packaging)	7.9 kg	
Cooktop		
Power levels	1 - 9, P	
Warming levels	3	
Front cooking zone (zone 1) power setting	230 x 230 mm	2100 W 3680 W
Rear cooking zone (zone 2) power setting	230 x 230 mm	2100 W 3680 W
Cooktop energy consumption		
Front cooking zone (zone 1)	230 x 230 mm	182.8 (Wh/kg)
Rear cooking zone (zone 2)	230 x 230 mm	181.1 (Wh/kg)
Cooking zones bridged	230 x 460 mm	207.0 (Wh/kg)
Total (average)		190.3 (Wh/kg)

Tab. 3.2 Technical data CKFI

Device dimensions CKFI

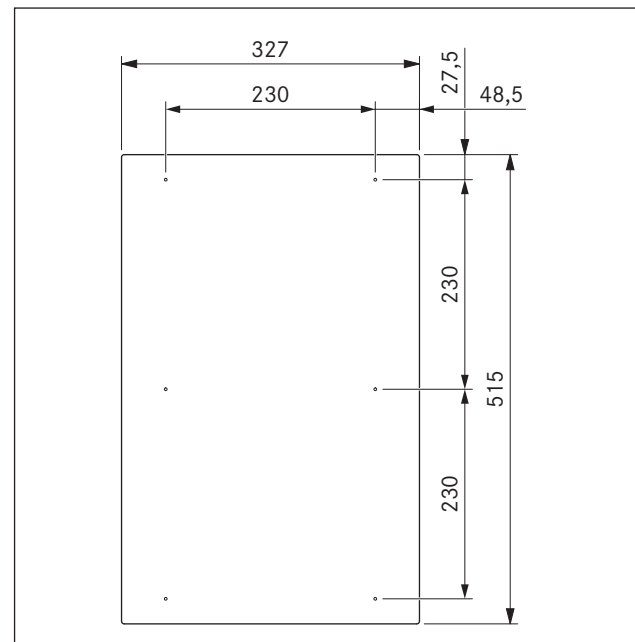


Fig. 3.5 CKFI device dimensions top view

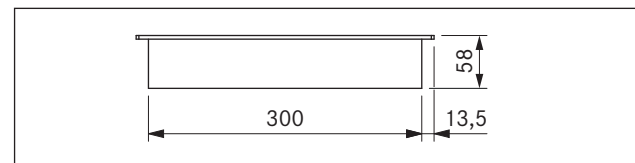


Fig. 3.6 CKFI device dimensions front view

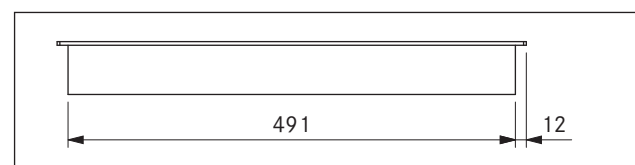


Fig. 3.7 CKFI device dimensions side view

3.3 CKI

Parameter	Value	
Supply voltage	220 - 240 V	
Frequency	50/60 Hz	
Power consumption	3.68 kW	
Fuse protection	1 x 16 A	
Dimensions (width x depth x height)	327 x 515 x 58 mm	
Weight (incl. accessories/packaging)	7.6 kg	
Cooktop		
Power levels	1 - 9, P	
Warming levels	3	
Front cooking zone (zone 1) power setting	Ø 230 mm	2300 W 3680 W
Rear cooking zone (zone 2) power setting	Ø 165 mm	1400 W 2200 W
Cooktop energy consumption		
Front cooking zone (zone 1)	Ø 230 mm	180.5 (Wh/kg)
Rear cooking zone (zone 2)	Ø 165 mm	178.7 (Wh/kg)
Total (average)		179.6 (Wh/kg)

Tab. 3.3 Technical data CKI

Device dimensions CKI

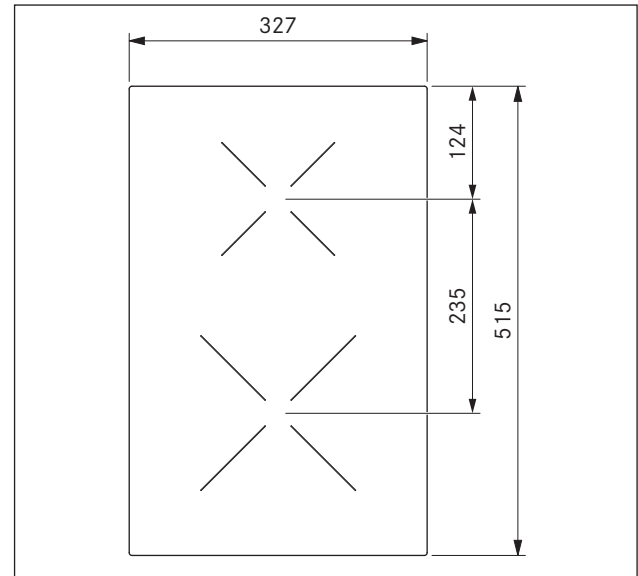


Fig. 3.8 CKI device dimensions top view

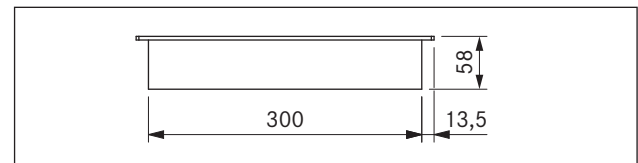


Fig. 3.9 CKI device dimensions front view

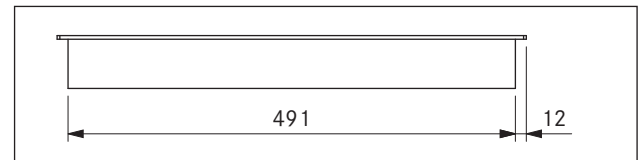


Fig. 3.10 CKI device dimensions side view

3.4 CKIW

Parameter	Value				
Supply voltage	220 - 240 V				
Frequency	50/60 Hz				
Power consumption	3.0 kW				
Fuse protection	1 x 16 A				
Dimensions (width x depth x height)	327 x 515 x 116 mm				
Weight (incl. accessories/packaging)	9.8 kg				
Cooktop					
Power levels	1 - 9, P				
Warming levels	3				
Cooking zone power setting	<table border="0"> <tr> <td>Ø 250 mm</td> <td>2400 W</td> </tr> <tr> <td></td> <td>3000 W</td> </tr> </table>	Ø 250 mm	2400 W		3000 W
Ø 250 mm	2400 W				
	3000 W				

Tab. 3.4 Technical data CKIW

Device dimensions CKIW

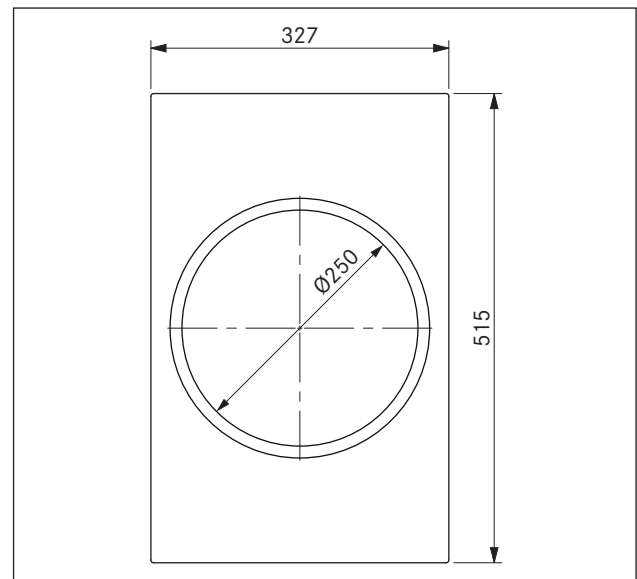


Fig. 3.11 CKIW device dimensions top view

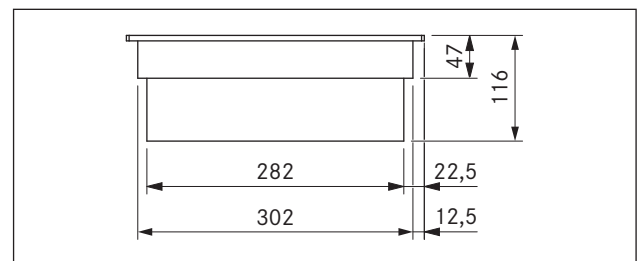


Fig. 3.12 CKIW device dimensions front view

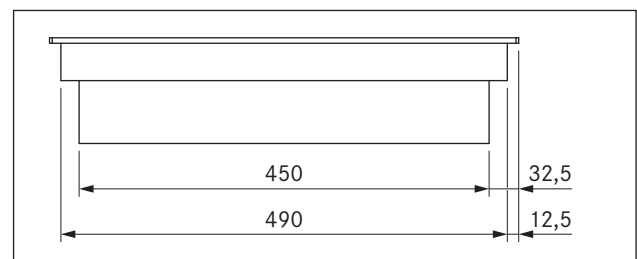


Fig. 3.13 CKIW device dimensions side view

3.5 CKCH

Parameter	Value	
Supply voltage	220 - 240 V	
Frequency	50/60 Hz	
Power consumption	3.68 kW	
Fuse protection	1 x 16 A	
Dimensions (width x depth x height)	327 x 515 x 75 mm	
Weight (incl. accessories/packaging)	7.2 kg	
Cooktop		
Power levels	1-9, P, 2-ring additional switching	
Warming levels	3	
Front cooking zone (zone 1) power setting	Ø 215 mm	2100 W 3000 W
Rear cooking zone (zone 2) 2-ring connection	Ø 120 mm Ø 180 mm	600 W 1600 W
Cooktop energy consumption		
Front cooking zone (zone 1)	Ø 215 mm	191.3 (Wh/kg)
Rear cooking zone (zone 2)	Ø 120/180 mm	197.6 (Wh/kg)
Total (average)		194.5 (Wh/kg)

Tab. 3.5 Technical data CKCH

Device dimensions CKCH

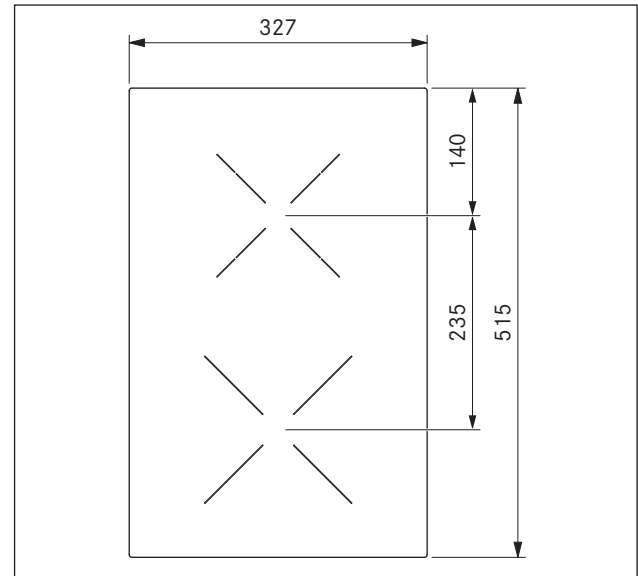


Fig. 3.14 CKCH device dimensions top view

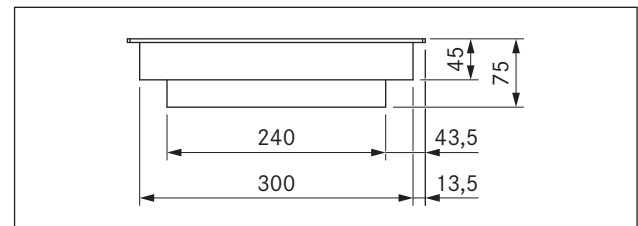


Fig. 3.15 CKCH device dimensions front view

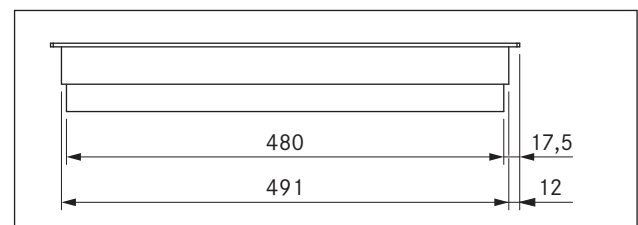


Fig. 3.16 CKCH device dimensions side view

3.6 CKCB

Parameter	Value
Supply voltage	220 - 240 V
Frequency	50/60 Hz
Power consumption	3.68 kW
Fuse protection	1 x 16 A
Dimensions (width x depth x height)	327 x 515 x 75 mm
Weight (incl. accessories/packaging)	7.4 kg
Cooktop	
Power levels	1-9, 2-ring connection, roaster cooking zone connection
Warming levels	3
Front cooking zone (zone 1)	Ø 180 mm 1600 W
Rear cooking zone (zone 2)	Ø 120 mm 600 W
2-ring connection, roaster cooking zone connection	Ø 180 mm 1600 W
	Ø 180 x 410 mm 3680 W
Cooktop energy consumption	
Front cooking zone (zone 1)	Ø 180 mm 193.4 (Wh/kg)
Rear cooking zone (zone 2)	Ø 120/180 mm 195.5 (Wh/kg)
	Ø 180 x 410 mm
Total (average)	194.4 (Wh/kg)

Tab. 3.6 Technical data CKCB

Device dimensions CKCB

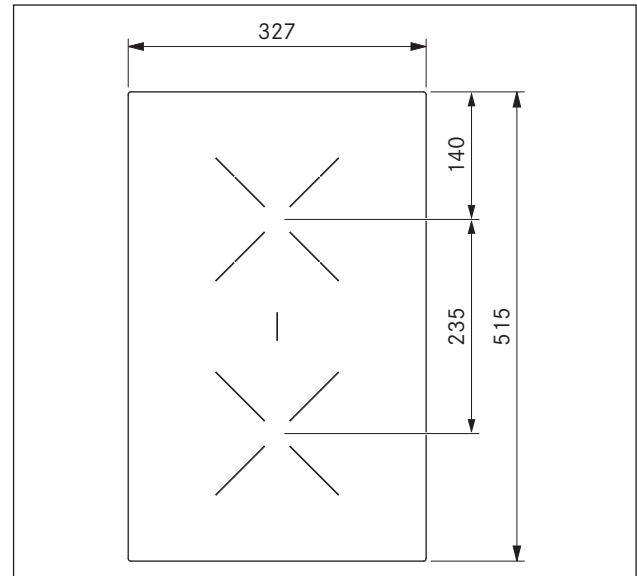


Fig. 3.17 CKCB device dimensions top view

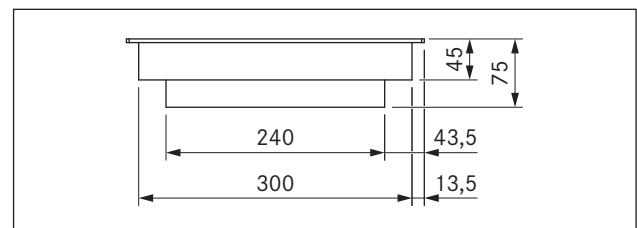


Fig. 3.18 CKCB device dimensions front view

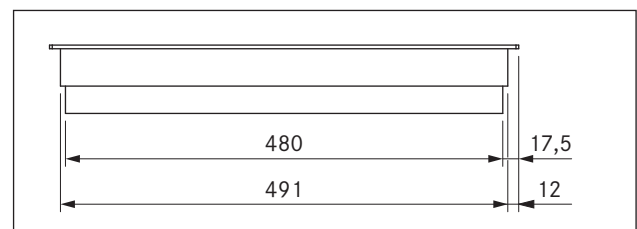


Fig. 3.19 CKCB device dimensions side view

3.7 CKG

Parameter	Value
Supply voltage	220-240 V
Frequency	50/60 Hz
Total burner output	5.0 kW
Power rating	20 W
Fuse protection	1 x 0.5 A
Dimensions (width x depth x height)	327 x 515 x 73 mm
cooktop pan support high-power burner	270 x 270 x 25/50 mm
pan support normal burner	235 x 235 x 25/50 mm
Weight (incl. accessories/packaging)	11.5 kg
Cooktop	
Power levels	1 - 9, P
Warming levels	3
High-power front burner	800 - 3000 W
Normal rear burner	550 - 2000 W
Total nominal connection values G20/20 mbar:	5.00 kW 0.449 m ³ /h
Cooktop energy consumption G20/20 mbar Category I2H 20 mbar (measurement taken without cooktop extractor)	
High-power front burner	800 - 3000 W 63.3 %
Normal rear burner	550 - 2000 W 61.3 %
Total (average)	62.3 %

Tab. 3.7 Technical data

Device dimensions CKG

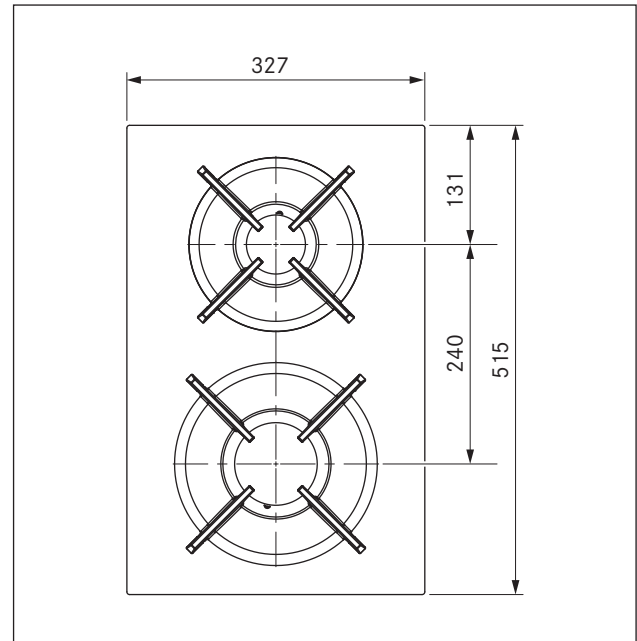


Fig. 3.20 CKG device dimensions top view

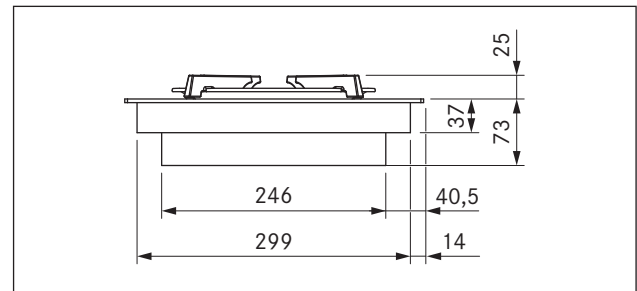


Fig. 3.21 CKG device dimensions front view

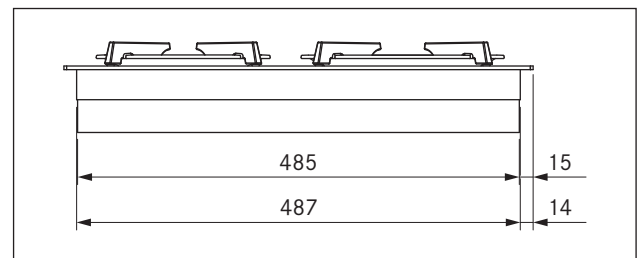


Fig. 3.22 CKG device dimensions side view

3.8 CKT

Parameter	Value
Supply voltage	220 - 240 V
Frequency	50/60 Hz
Power consumption	3.5 kW
Fuse protection	1 x 16 A
Dimensions (width x depth x height)	327 x 515 x 73 mm
Weight (incl. accessories/packaging)	13.6 kg
Cooktop	
Temperature control (power levels)	150 - 230 °C, 250 °C (1-9, P)
Warming levels	3
Front cooking zone (zone 1)	250 x 220 mm 1750 W
Rear cooking zone (zone 2)	250 x 220 mm 1750 W
Temperature control range	70 - 250 °C

Tab. 3.8 Technical data CKT

Device dimensions CKT

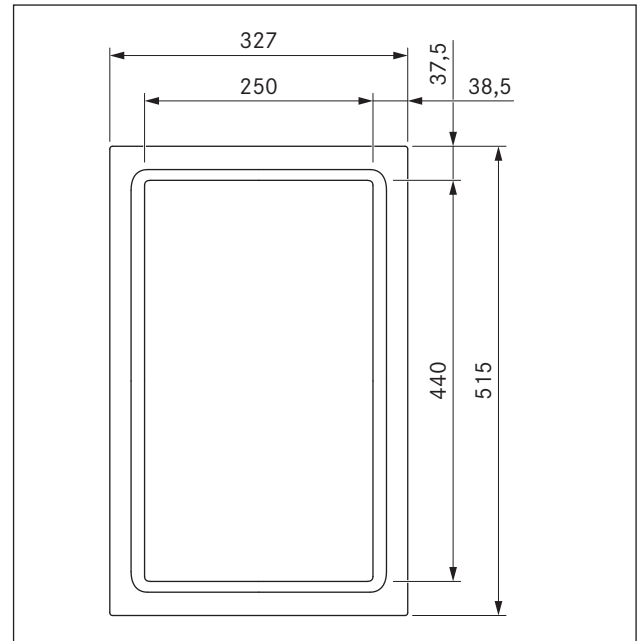


Fig. 3.23 CKT device dimensions top view

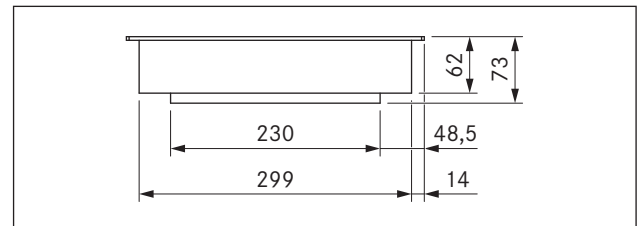


Fig. 3.24 CKT device dimensions front view

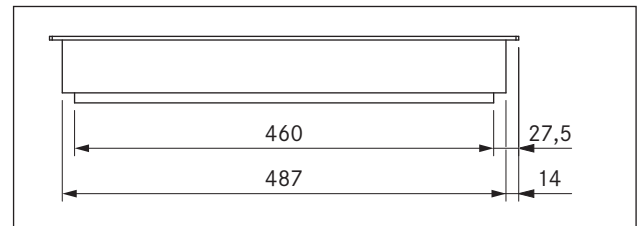


Fig. 3.25 CKT device dimensions side view

4 Installation

- ▶ Observe all safety and warning information (see the Safety chapter).
- ▶ Follow the enclosed manufacturer's information.

4.1 General installation information

INFO The appliances must not be installed above cooling devices, dishwashers, stoves, ovens, washing machines or dryers.

INFO The contact surfaces of the worktops and wall sealing strips must be made of a heat-resistant material (up to approx. 100 °C).

INFO Worktop cut-outs must be moisture-sealed using suitable means and, where necessary, fitted with a thermal insulator.

INFO External devices may only be connected to the cooktop extractor connections provided.

INFO Extremely bright lights aimed directly at the appliances can cause colour variations in the appliances and are thus to be avoided.

General installation information for cooktops

INFO To ensure that the cooktops perform optimally at all times, there must be sufficient ventilation beneath the cooktops.

INFO The performance of the cooktops is affected or the cooktops overheat if the warm air beneath the cooktops cannot escape.

INFO If a cooktop overheats, the power is automatically reduced or the cooktop is switched off completely (see Overheating protection).

INFO If cable protection (false floor) is planned beneath the appliance, this must be fitted so it does not obstruct ventilation.

- ▶ Make sure that the area below the cooktop has a sufficient air supply.

4.1.1 Operating the cooktop extractor with a fireplace that depends on the air in the room

INFO The state and regional laws and regulations must be observed with regard to the exhaust duct design.

INFO A sufficient air supply must be ensured.

Fireplaces that depend on the air in the room (e.g. gas, oil, wood or coal-fired heaters, continuous-flow water heaters, instantaneous water heaters) draw in air from the room in which they are installed and release the exhaust fumes into the outside air via an exhaust system (e.g. chimney).

If the cooktop extractor is used in exhaust mode, it draws in air from the room in which it is installed as well as from neighbouring rooms. Without sufficient air, there will be a drop in air pressure. Toxic gases could be drawn out of the chimney or extraction ducting and back into the room.

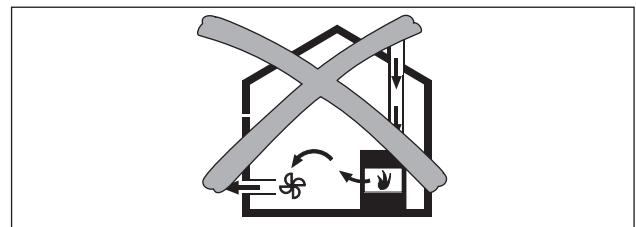


Fig. 4.1 Exhaust air installation – not permitted

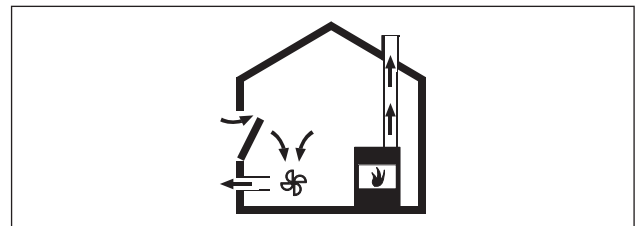


Fig. 4.2 Exhaust air installation – correct

- ▶ If simultaneously operating both a fireplace and the cooktop extractor in the same room, ensure that:
 - the maximum low pressure is 4 Pa (4×10^{-5} bar);
 - a safety device (e.g. window contact switch, low pressure warning device) is used to ensure that a sufficient supply of fresh air is guaranteed;
 - the exhaust air is not be ducted into a chimney that is used for exhaust gases of devices operated with gas or other combustibles;
 - the installation is checked and approved by an authorised certified engineer (e.g. heating engineer).

INFO No window contact switches may be installed that separate the control unit from the power supply (phase separation). Only the Home In interface is to be used.

4.2 Checking the delivery

- ▶ Make sure the delivery is complete and check it for damage.
- ▶ If there are any missing or damaged parts, please notify BORA After Sales Service.

- ▶ Do not under any circumstances install parts which are damaged.
- ▶ Dispose of transport packaging in the proper manner (see the Decommissioning, disassembly and disposal chapter).

4.2.1 Scope of delivery of the cooktop extractor

Scope of delivery CKA2	Quantity
Installation instructions	1
Operating instructions	1
Extractor base module (CKA2GM)	1
Air inlet nozzle (CKA2ED)	1
Grease filter unit (CKA2FFE)	1
Control unit (CKA2SB)	1
Power supply cable (country-specific)	1
Flexible module (CKA2MF)	1
Ferrite sleeve (UFK)	1

Tab. 4.1 Scope of delivery of the cooktop extractor

4.2.2 Scope of delivery of the cooktops

Scope of delivery CKFI, CKI, CKIW, CKCH, CKCB, CKG, Quantity CKT	Quantity
Cooktop	1
Mounting brackets	4
Height adjustment plate set	1
Additional scope of delivery CKFI, CKI, CKIW, CKCH, CKCB	
Glass ceramic cleaning instructions	1
Glass ceramic scraper	1
Additional scope of delivery CKG	
Cast-iron grate	2
Nozzle set G20/20 mbar natural gas PKGDS2020	1
Flexible gas connection hose, length 500 mm, 1/2" external thread(EN14800)	1
Cylindrical/conical transition piece	1
Seal	1
Glass ceramic cleaning instructions	1
Glass ceramic scraper	1
Additional scope of delivery CKT	
Tepan spatula	1

Tab. 4.2 Scopes of delivery of the cooktops

4.3 Tools and aids

The following special tools are required to correctly install the system:

- Screwdriver/Torx screwdriver 20
- Black, heat-resistant silicone sealant
- Fine saw

4.4 Assembly instructions

4.4.1 Safety clearances

- ▶ Maintain the following safety clearances:

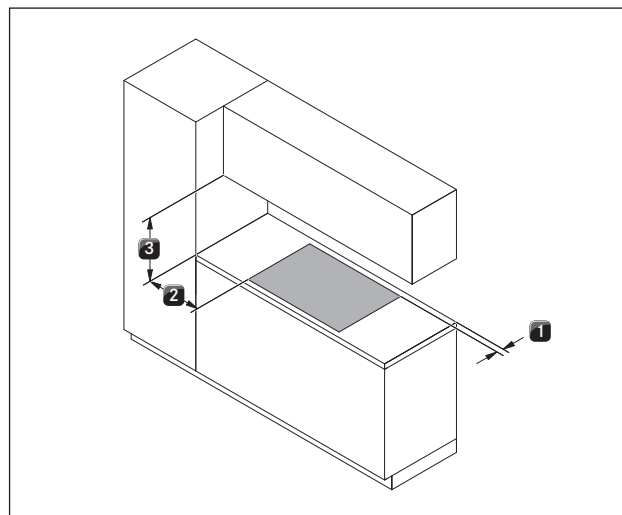


Fig. 4.3 Minimum distance

- [1] Minimum clearance of 50 mm at the front and back from the worktop cut-out to the edge of the worktop.
- [2] Minimum clearance of 300 mm from the left and right of the worktop cut-out to the adjacent cabinet or wall.
- [3] Minimum clearance of 600 mm between the worktop and cabinet above (650 mm in the case of gas devices).

4.4.2 Worktop and kitchen units

- ▶ Create the worktop cut-out taking into account the specified cut-out dimensions.
- ▶ Make sure that the cut surfaces of the worktops are properly sealed.
- ▶ Comply with the instructions of the worktop manufacturer.
- Cross bars on the kitchen unit in the area of the worktop cut-out may need to be removed.
- No false floor is necessary below the cooktop. If cable protection (false floor) is planned, the following must be taken into account:
 - It must be fitted in such a way that it can be removed for maintenance work.
 - To ensure sufficient cooktop ventilation, a minimum distance of 15 mm to the bottom edge of the cooktop extractor is to be observed.
- The drawers and/or shelves in the floor unit must be removable.
- For correct installation, the slide-in units of the base cabinet must be shortened depending on the installation situation.

4.4.3 Recirculation when using the cooktop extractor as a recirculation system

In the case of recirculation systems there must be a return flow aperture in the kitchen units:

- > 500 cm² (per air cleaning box) in combination with cooktops CKFI, CKI, CKIW, CKCH, CKCB and CKT
- > 1000 cm² (per air cleaning box) in combination with gas cooktop CKG

INFO If several extractor systems are operated in recirculation mode, the return flow aperture for each air cleaning box must be calculated correspondingly.

Example:

2 recirculation systems = 2 x (> 500 cm²) or
2 x (> 1,000 cm²) in the case of gas appliances

For recirculation, the necessary return flow aperture can be created using a shortened plinth. A slatted plinth with at least the minimum opening cross-section can also be used.

- ▶ Ensure that the return flow aperture is large enough.

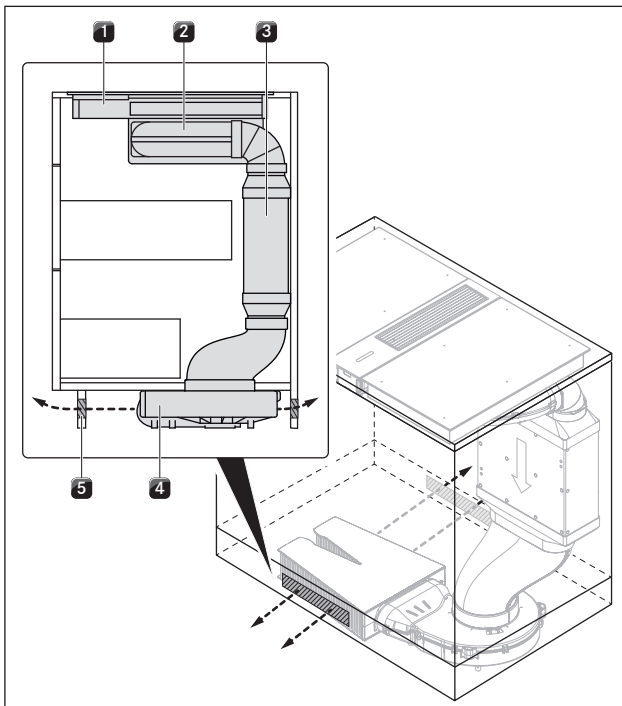


Fig. 4.4 Recirculation design example (kitchen island + cooktop + CKA2 + air cleaning unit)

- [1] Cooktop
- [2] Cooktop extractor CKA2 (recirculation)
- [3] Air cleaning unit (ULB1, ULB3, ULBF)
- [4] BORA plinth fan EC (ULS)
- [5] Recirculation return flow aperture
(Total opening cross section per air cleaning unit ≥ 500 cm²
or ≥ 1000 cm² in the case of gas cooktop CKG)

INFO If the gas flame goes out, is excessively affected by the extractor and/or the flame is not as it should be (e.g. soot production, flame blowback, etc.), the return flow aperture must be enlarged.

4.4.4 Special assembly instructions for gas cooktop CKG

- ▶ Please note the local regulations and connection requirements applicable to gas cooktops.
- ▶ Before connecting the appliance, check that the appliance settings comply with local connection requirements (gas type and pressure).

INFO Minimum requirement for operating gas cooktop CKG: System software 03.00 (or higher)

- ▶ If necessary, retrieve the installed software version (see operating instructions, Menu chapter, Retrieving the software version).
- ▶ Update the system software if necessary (see operating instructions, Menu chapter, Updating the system software).

INFO Minimum clearance of 650 mm between the worktop and wall unit in the case of gas devices.

INFO On recirculation systems, a return flow aperture of at least 1,000 cm² must be provided for each air cleaning unit.

INFO Ensure sufficient ventilation.

INFO Taking into account the applicable valid regulations, the cooktop must be connected to the gas line with an upstream stopcock.

INFO The gas supply pipe can be connected after the gas cooktop has been installed.

INFO The hose connection must be laid in such a way that it is not subject to deformation, buckling or abrasion.

INFO The stopcock and gas supply pipe connections must be accessible.

INFO It must be possible to inspect the entire length of the hose line once installed.

INFO Only compatible connection pieces are to be used for the hose line.

INFO The pressure regulator must correspond to the set gas type and set gas pressure and must meet local and legal requirements.

INFO The gas connection hose line must not come into contact with smoke or the flue outlet of an oven.

INFO The hose line must not come into contact with hot surfaces on the cooktop or other devices.

INFO The gas hose must be inspected every 5 years and replaced if necessary. The gas hose must meet the requirements of EN14800.

INFO If the gas cooktop is used in a model with two cooktop extractors, it is to be installed at the side. If installed between the cooktop extractors, the pull of air on both sides may affect the flames.

Air supply to gas cooktop CKG

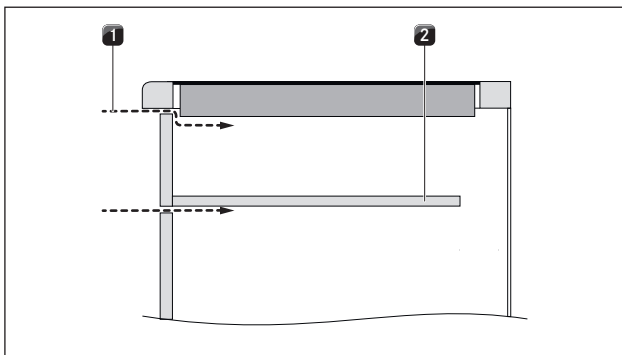


Fig. 4.5 Air supply at front of the body

[1] Air supply via the front of the body (opening cross-section $\geq 50 \text{ cm}^2$)

[2] Optional cable protection (shortened)

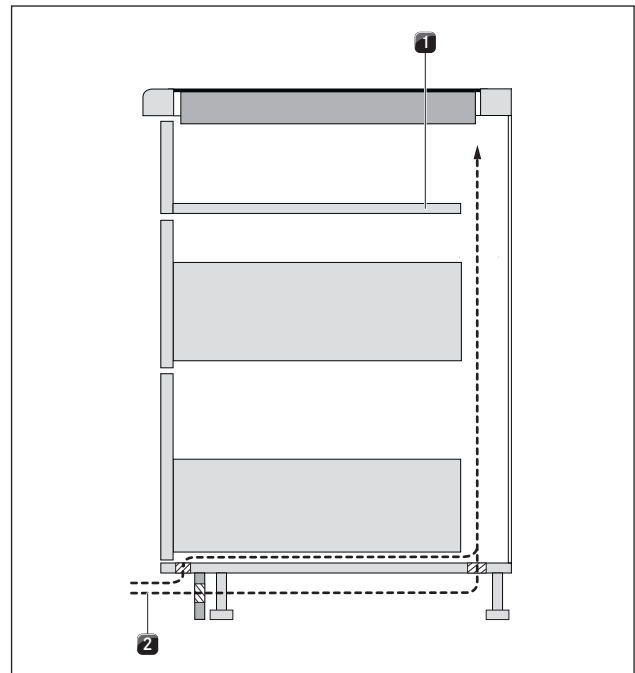


Fig. 4.6 Plinth area air supply

[1] Optional cable protection (shortened)

[2] Air supply via the plinth area (opening cross-section $\geq 150 \text{ cm}^2$)

INFO To ensure a sufficient air supply, an opening cross-section of at least 50 cm^2 is recommended in the front of the kitchen unit, or an opening cross-section of at least 150 cm^2 in the plinth area.

► Make sure that the area below the cooktop has a sufficient air supply.

4.5 Cut-out dimensions

INFO All dimensions from the front edge of the front cover.

Worktop overhang

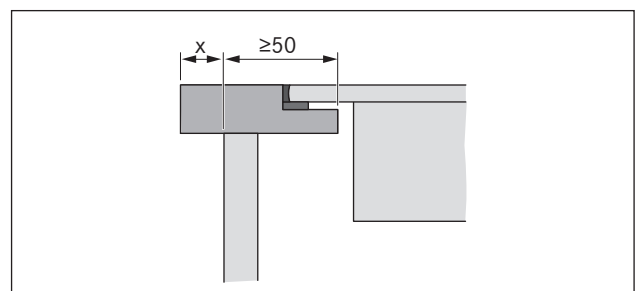


Fig. 4.7 Worktop overhang

► Please note the worktop overhang x when creating the worktop cut-out. Applies to flush installation and surface mounting.

4.5.1 Flush installation

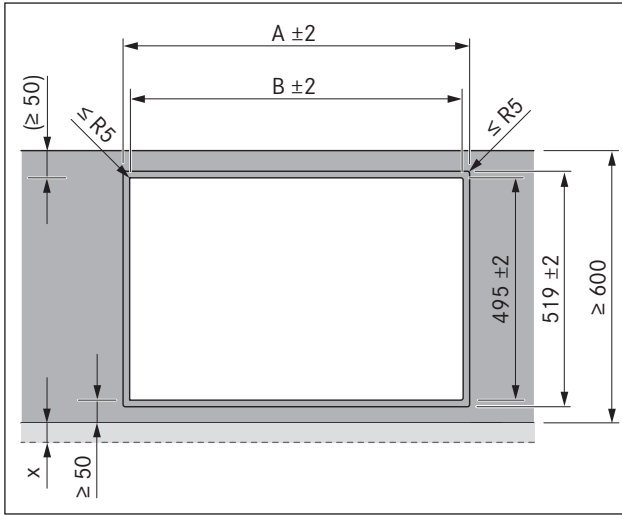


Fig. 4.8 Cut-out dimensions for flush installation

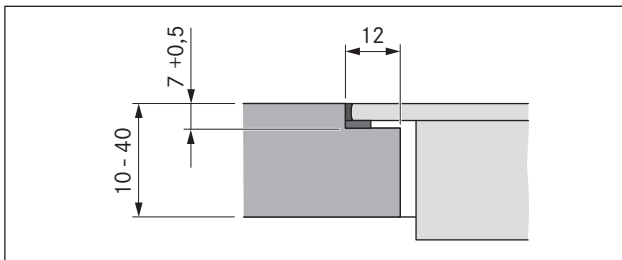
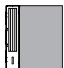
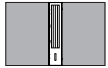




Fig. 4.9 Groove dimensions for flush installation

Cooktops/cooktop extractor	A in mm	B in mm
	1/1	448
	2/1	776
	3/2	1221
	4/2	1549

Tab. 4.3 Cut-out dimensions of the appliance combinations in the case of flush installation

4.5.2 Surface mounting

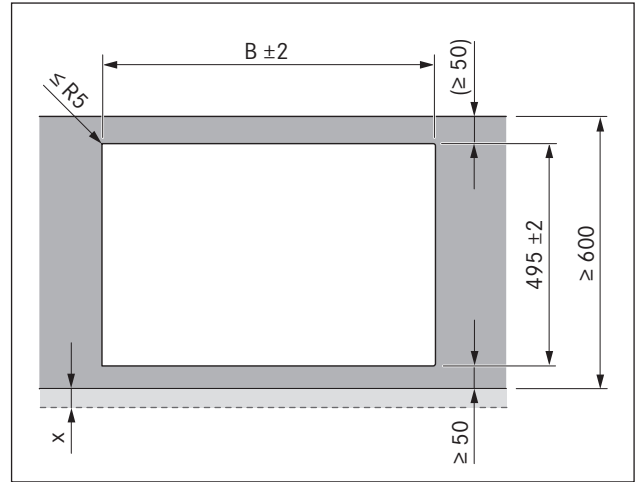


Fig. 4.10 Cut-out dimensions for surface mounting

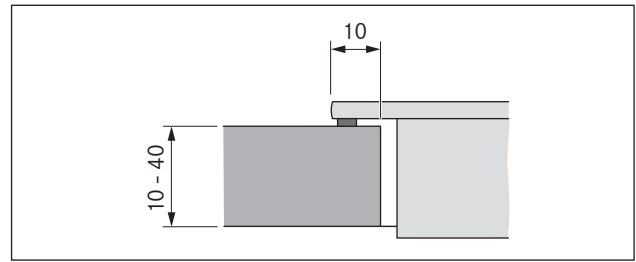






Fig. 4.11 Dimension of support for surface mounting

Cooktops/cooktop extractor	B in mm
	1/1
	2/1
	3/2
	4/2

Tab. 4.4 Cut-out dimensions of the appliance combinations in the case of surface mounting

4.6 Installation dimensions

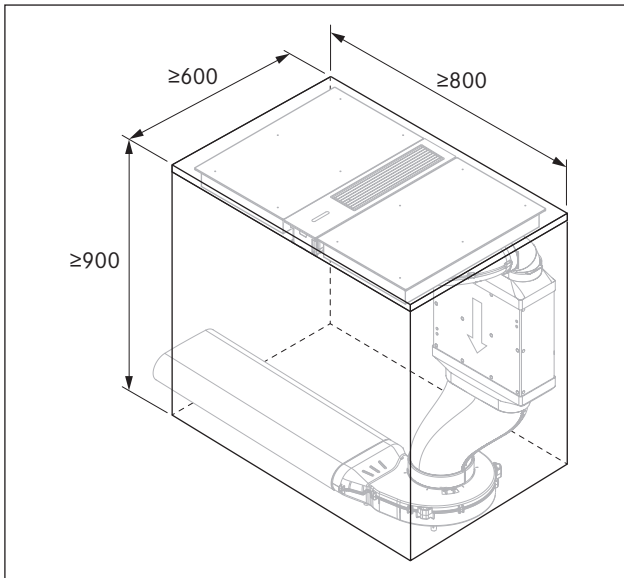


Fig. 4.12 Minimum installation dimensions with shallow silencer USDF

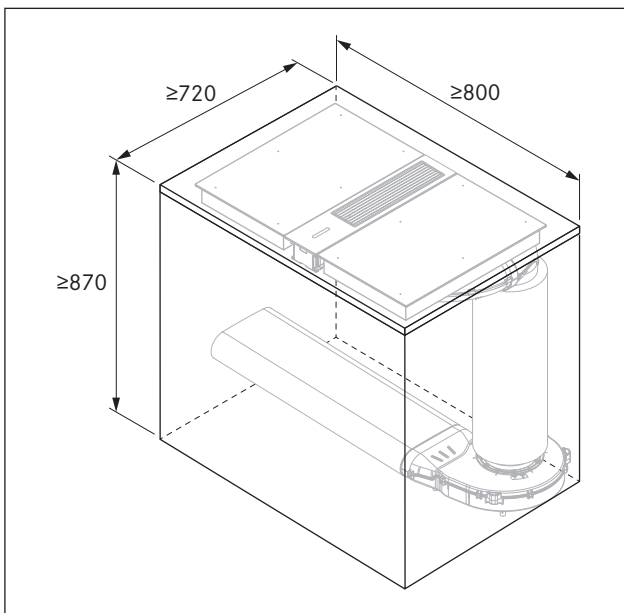


Fig. 4.13 Minimum installation dimensions with round silencer USDR50

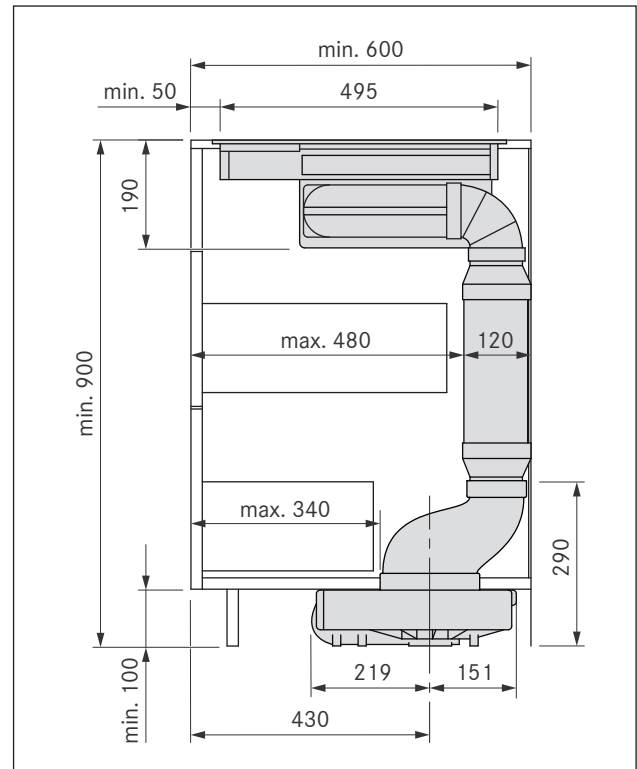


Fig. 4.14 Appliance installation dimensions with shallow silencer USDF in case of a unit depth of 600 mm

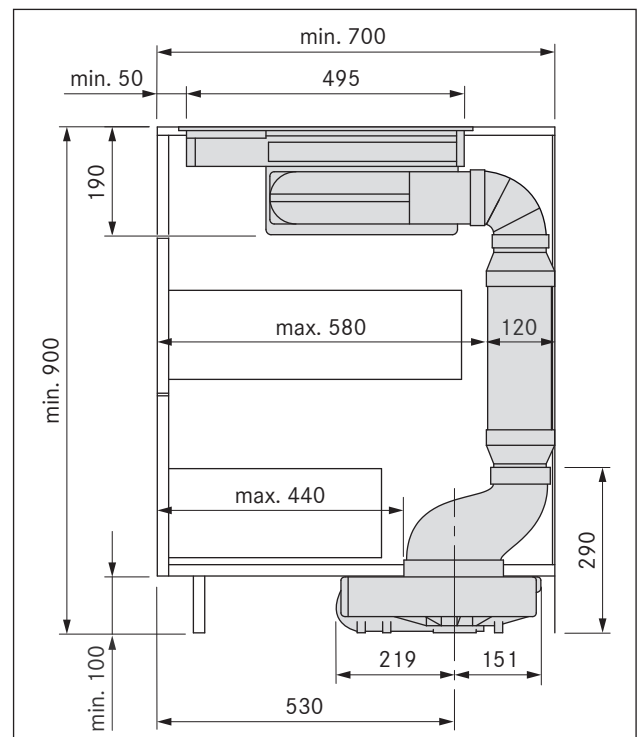


Fig. 4.15 Appliance installation dimensions with shallow silencer USDF in case of a unit depth of 700 mm

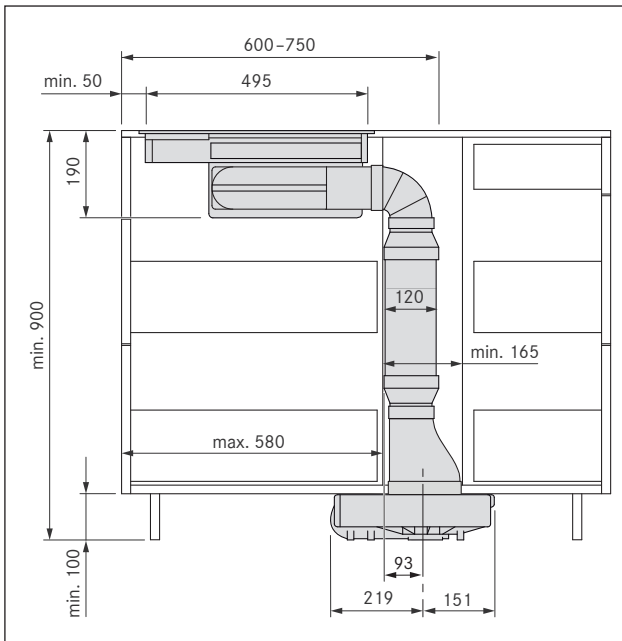


Fig. 4.16 Appliance installation dimensions with shallow silencer USDF in case of installation in a kitchen island

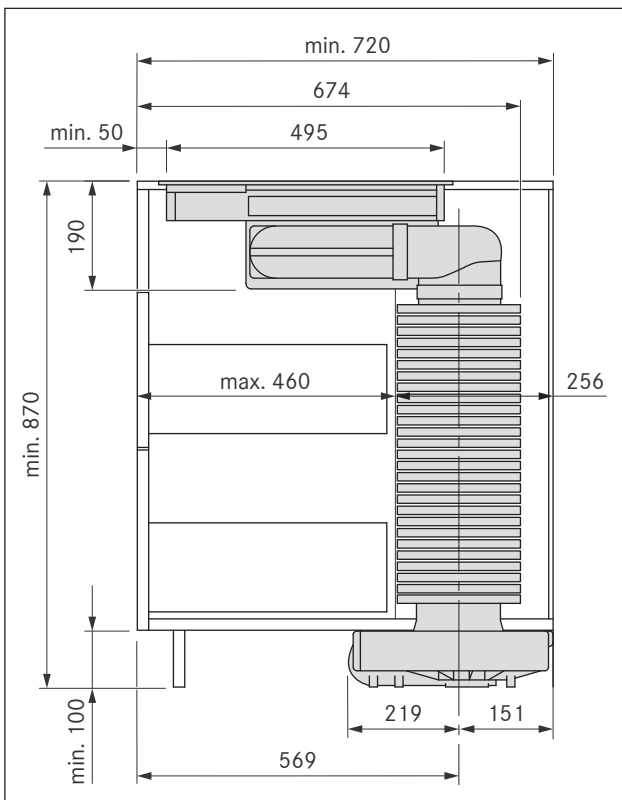


Fig. 4.17 Appliance installation dimensions with round silencer USDR50

4.7 Installation options

INFO The BORA Classic 2.0 system offers different installation options. It is necessary to decide which installation option is to be implemented prior to installation.

- ▶ Please ensure prior to installation that you have made the correct preparations for the corresponding installation.
- ▶ In the event of any queries regarding the planned installation option, please contact your kitchen planner.

Installation option overview

INFO The installation options shown below can be fitted on the right or left-hand side.

The following airflow options can be implemented with the BORA Classic 2.0 system:

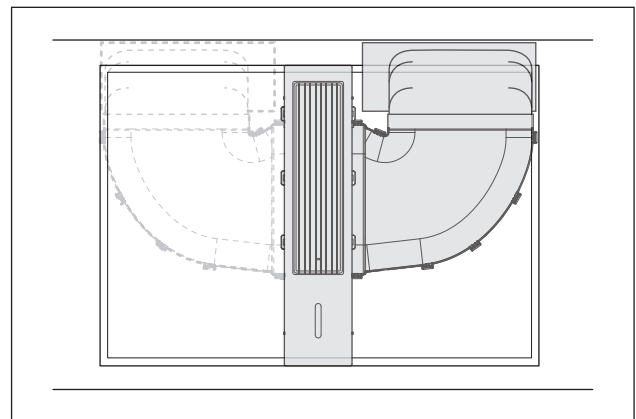


Fig. 4.18 Airflow towards the rear (right or left)

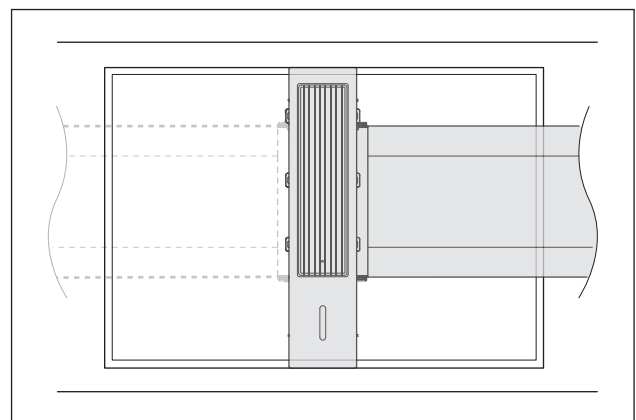


Fig. 4.19 Straight airflow towards the side (right or left)

4.8 Assembling the extraction system

INFO Cooktop extractor CKA2 is delivered as individual parts which must be assembled prior to or during installation.

INFO The individual components must be assembled according to the installation option.

INFO All individual components are built in such a way that they can be assembled without any difficulty. The parts can only be assembled correctly and without applying force if they are aligned correctly.

- ▶ Assemble the individual parts as required for the planned installation option.
- ▶ Make sure that the parts are aligned correctly.
- ▶ Do not force the parts together.
- If not aligned correctly, the parts cannot be assembled easily (solve this by turning or rotating the part).
- ▶ Make sure that all locks click into place.

4.8.1 Assembling cooktop extractor CKA2

There are two different models of cooktop extractor CKA2, depending on the planned airflow:

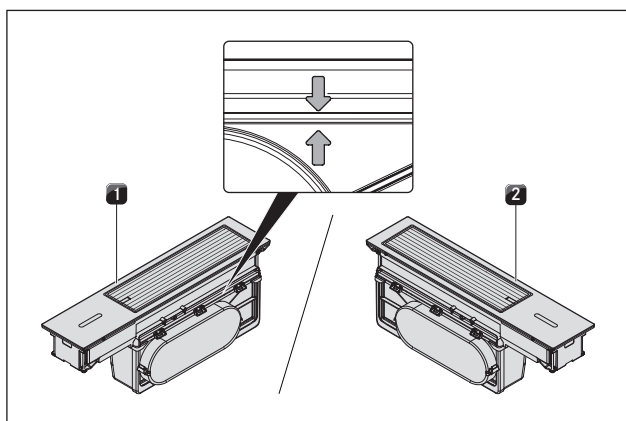


Fig. 4.20 Assembled cooktop extractor CKA2

- [1] Cooktop extractor CKA2 for airflow towards the right
- [2] Cooktop extractor CKA2 for airflow towards the left

INFO If the adapter panel is fitted correctly, the duct connection will always be at the front on both models (facing the user).

INFO You can check that the adapter panel has been fitted correctly by looking at the arrow markings on the panel and the base module. These must be correctly aligned.

Assembling the individual components

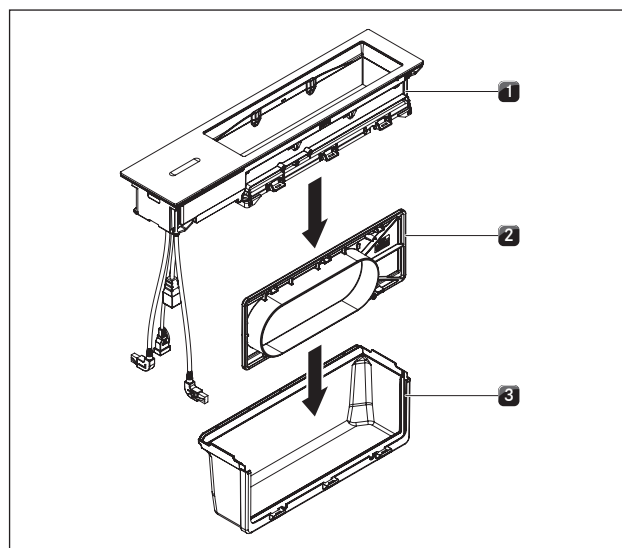


Fig. 4.21 Assembling the individual components on cooktop extractor CKA2

- [1] Extractor base module
- [2] Adapter panel with O-ring seal
- [3] Connection module

Assemble the adapter panel:

- ▶ Position the connection module [3] facing the left or right depending on the planned installation option.
- ▶ Check that the adapter panel [2] seal is positioned correctly.
- ▶ Position the adapter panel [2] in such a way that the duct connection is facing left or right as required.
- ▶ Insert the adapter panel [2] into the connection module [3] from above.
- ▶ To do this, slide the adapter panel into the slots on the connection module [3].
- ▶ Do not use force to assemble the parts.
- ▶ Ensure that the lock clicks into place.

Assemble the base module:

- ▶ Place the base module [1] on top of the connection module [3] with its adapter panel [2] already fitted.
- ▶ Do not use excessive force to assemble the parts.
- ▶ Ensure that the lock clicks into place.
- ▶ Check that all components are positioned correctly.
- ▶ Check that the clearance inside the extractor is even.

4.9 Installing the cooktop extractor

INFO Clearance of one millimetre should be planned between the appliances.

INFO In the case of flush installation, a clearance of two millimetres should be planned around the appliances.

- Cross bars on the kitchen unit in the area of the worktop cut-out may need to be removed.
- The drawers and/or shelves in the floor unit must be removable for maintenance and cleaning purposes.
- ▶ Make sure that the area at the front of the floor unit is sufficiently ventilated with clean air.
- ▶ Make sure that the floor unit is not soiled by the ventilation openings.

4.9.1 Fitting and positioning the cooktop extractor

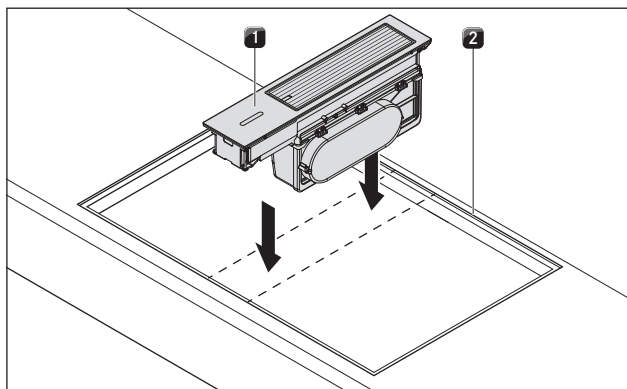


Fig. 4.22 Insert the cooktop extractor in the worktop cut-out.

- [1] Cooktop extractor
[2] Worktop cut-out

- ▶ Place the cooktop extractor [1] in the middle of the worktop cut-out [2].
- ▶ Position the cooktop extractor [1] with precision.

Adjusting the installation height (only in the case of flush installation)

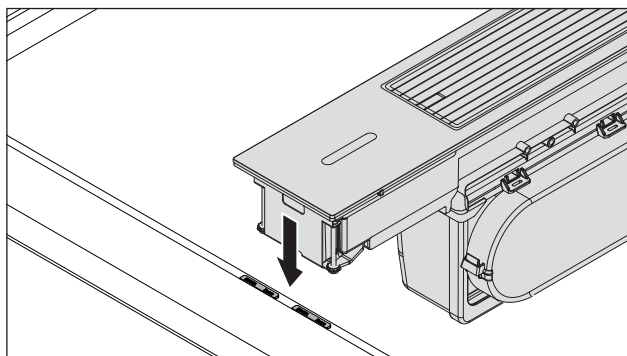


Fig. 4.23 Height adjustment plates for flush installation

- [1] Height adjustment plate
[2] Cooktop extractor

- ▶ In flush installation, if necessary, lay height adjustment plates [1] underneath in order to adapt the installation height of the cooktop extractor [2] to the rebate depth.

4.10 Installing the duct system

INFO The duct system must be fitted to the cooktop extractor free of load and with the power supply switched off.

INFO Please bear in mind that for correct installation, the slide-in units of the base cabinet can be shortened depending on the installation situation.

INFO When attaching the seals, ensure that an airtight seal is created with the connection duct piece when the seals are compressed.

- The maximum exhaust air duct length with a fan is 6 m.
- The minimum cross-section of the air ducts must be 176 cm², which equates to a round pipe with a diameter of 150 mm or the BORA Ecotube duct system.
- ▶ Use only BORA Ecotube duct parts.
- ▶ Do not use flexible or fabric hoses.

4.10.1 Fitting the duct system to cooktop extractor CKA2

INFO The floor unit must not be supported on the plinth fan housing. The plinth fan must be installed free of load and with the power supply switched off.

INFO The plinth fan must only be installed horizontally.

INFO Position the plinth fan and control unit in such a way that they cannot be easily accessed by the user under normal operating conditions (e.g. behind the plinth panel).

Preparations

- ▶ Adjust the ducting parts to the height of the worktop.
- ▶ Saw out the necessary cut-outs for the ducting in the rear panel of the floor unit.
- ▶ Depending on the installation situation, adjust the levelling feet on the floor unit as necessary.

Adapting the 90° bend:

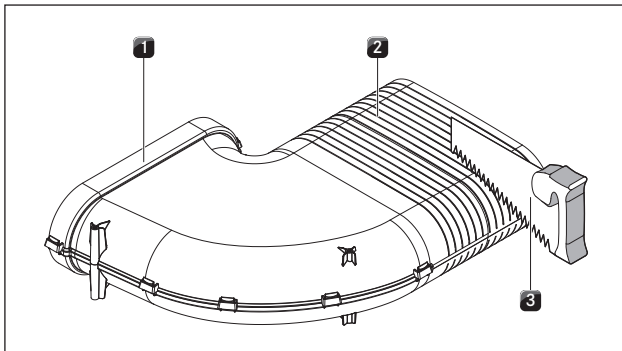


Fig. 4.24 Shortening the 90° bend

- [1] 90° bend
- [2] Cut marks
- [3] Fine saw

- ▶ Adapt the 90° bend [1] to the depth of the worktop if necessary by shortening it accordingly at the cut marks [2] using a fine saw [3].

Preparing the plinth fan:

- ▶ Prepare the plinth fan by attaching the sealing tape depending on the installation situation.
- ▶ Secure the sealing tape to the inlet nozzle.

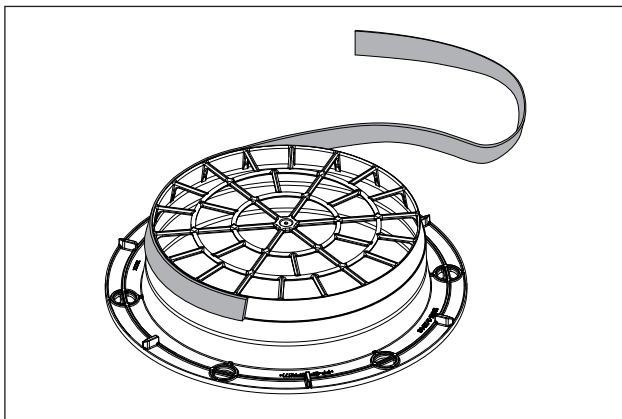


Fig. 4.25 Sealing tape position for installation with a round duct

- Depending on the required connection cross-section, you can vary the height at which the sealing tape is attached to the plinth fan inlet nozzle.

INFO If another Universal fan module is to be used, this must also be prepared as described here with sealing tape on the inlet nozzle.

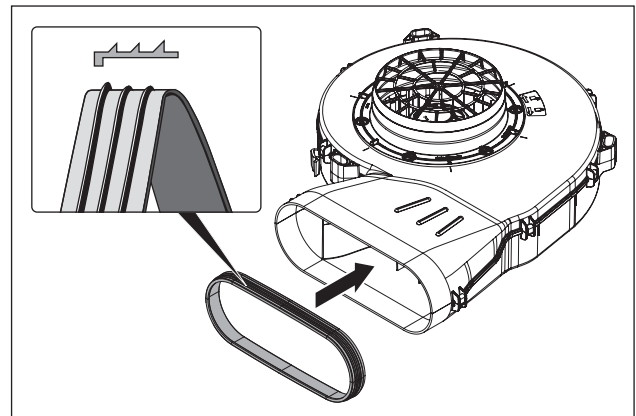


Fig. 4.26 Attach the seal to the plinth fan outlet nozzle.

- ▶ Push the seal onto the plinth fan outlet nozzle. The seal will need to be stretched slightly.

Connecting the duct system

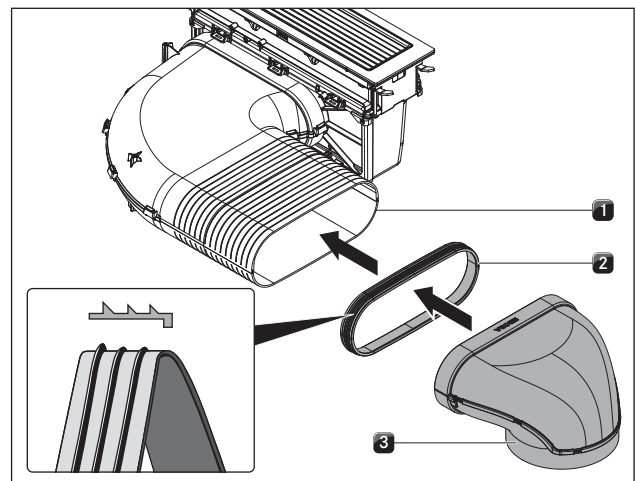


Fig. 4.27 Duct system connection

- [1] Output nozzles
- [2] Seal
- [3] Duct part

- ▶ Pull the seal [2] onto the outlet nozzle [1] on the appliance. The seal [2] will need to be stretched slightly.
- ▶ Push the duct part to be connected [3] with the coupling onto the outlet nozzle [1] with the seal [2].
- ▶ Ensure that the seal [2] is not displaced.

Example of a standard set-up

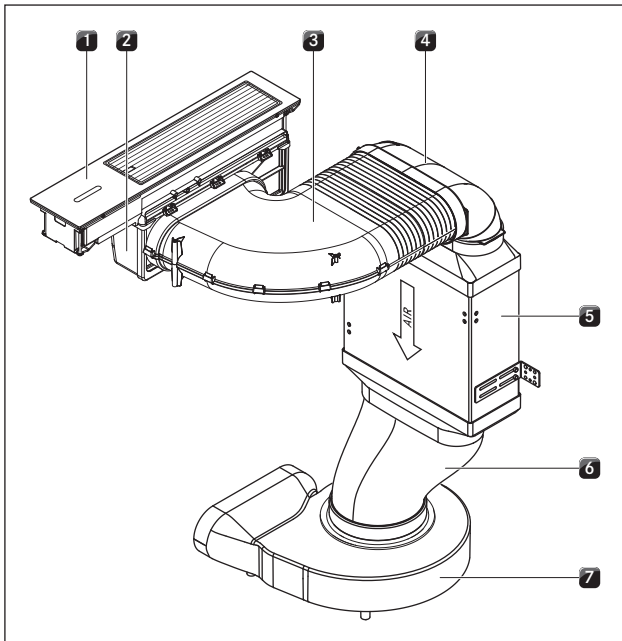


Fig. 4.28 Cooktop extractor CKA2 standard set-up

- [1] Cooktop extractor CKA2
- [2] Connection module with built-in adapter panel
- [3] 90° bend
- [4] BORA Ecotube 90° bend shallow vertical EFBV90
- [5] BORA shallow silencer USDF
- [6] BORA Ecotube transition piece shallow round offset EFRV
- [7] BORA plinth fan ULS

- ▶ Attach the 90° bend [3] to the connection module with built-in adapter panel [2].
- ▶ Position the plinth fan [7].
- To facilitate positioning, the inlet nozzle on the plinth fan can be removed. To do this, please see the assembly instructions for the BORA plinth fan ULS.
- ▶ Connect the shallow silencer USDF [5] to the BORA Ecotube transition piece EFRV [6].
- ▶ Secure the shallow silencer using the mounting brackets included in the scope of delivery.
- Securing the shallow silencer prevents a force effect on the cooktop extractor during further assembly of the duct system.
- ▶ Ensure that all connections are provided with suitable BORA Ecotube seals and that the seals are airtight.
- You can optimally stick the connections between the ducting sections and the plinth fan together with UDB sealing tape.

4.10.2 Installing the additional fan

INFO The maximum exhaust air duct length with a fan is 6 m.

- ▶ Install an additional fan in the exhaust duct if necessary.

- ▶ Ensure that a minimum clearance of 3 m is maintained between the fan units.
- ▶ Use only BORA Universal fans.

If additional fans are installed at a later date:

- ▶ When installing additional fans at a later date, carry out the initial operation procedure (see Initial operation).
- In the basic configuration, any fans installed at a later date are automatically recognised provided that they have been connected correctly. The system configuration is adjusted accordingly.

4.11 Installing the cooktops

INFO Clearance of one millimetre should be planned between the appliances.

INFO In the case of flush installation, a clearance of two millimetres should be planned around the appliances.

- Cross bars on the kitchen unit in the area of the worktop cut-out may need to be removed.
- The drawers and/or shelves in the floor unit must be removable for maintenance and cleaning purposes.
- In the case of induction appliances, make sure that the area below the cooktop is sufficiently ventilated. There should be an opening cross-section > 50 cm² at the front side and in the false floor for ventilation.

4.11.1 Fitting and positioning the cooktops

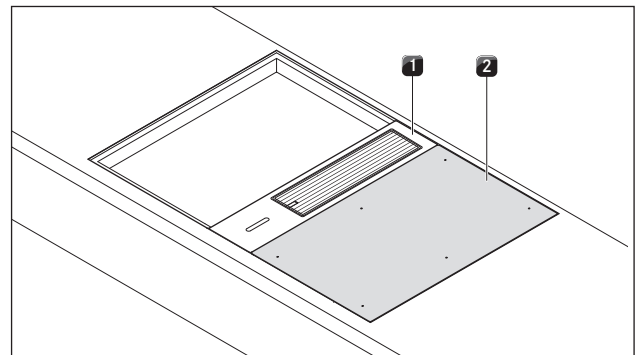


Fig. 4.29 Cooktop fitted next to the cooktop extractor

- [1] Cooktop extractor
- [2] Cooktop

- ▶ Place the cooktop [2] next to the centrally-positioned cooktop extractor [1].
- ▶ Align the cooktop [2] exactly.
- ▶ Push the cooktop [2] right up to the cooktop extractor [1].
- When the cooktop is pushed up against the side of the cooktop extractor, spacers automatically provide the prescribed 1 mm clearance.

Adjusting the installation height (only in the case of flush installation)

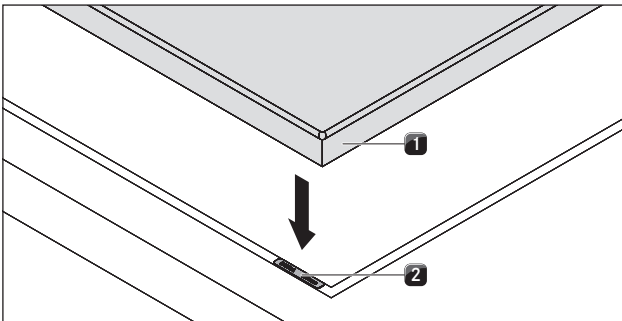


Fig. 4.30 Cooktop and height adjustment plates

- [1] Cooktop
[2] Height adjustment plates

- ▶ Adapt the cooktop [1] installation height to the level of the cooktop extractor using the height adjustment plates [2].

INFO When installing the cooktops it must be taken into account that the appliances only have 4 support points and the height adjustment plates must be positioned accordingly. This particularly applies to the Tepan stainless steel grill CKT.

4.1.1.2 Securing the cooktop extractor

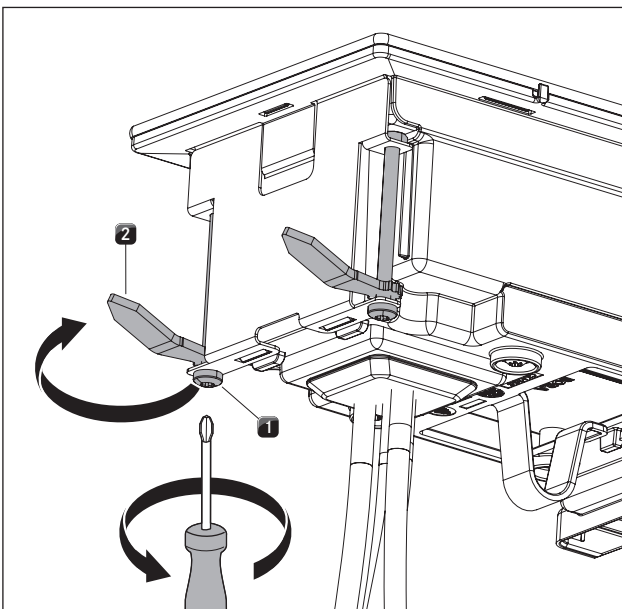


Fig. 4.31 Securing the cooktop extractor

- [1] Tensioning screw
[2] Fixing bracket

- ▶ Turn the four fixing brackets [2] under the worktop.
- The fixing brackets are secured against slipping by a ratchet mechanism.
- ▶ Tighten the tensioning screws [1] with max. 2 Nm.
- ▶ Do not use a cordless screwdriver or similar electrical device to secure the cooktop extractor.
- ▶ Check that the cooktop extractor is positioned correctly.

4.1.1.3 Securing the cooktops

Cooktops CKFI, CKI, CKIW, CKCH, CKGB, CKG

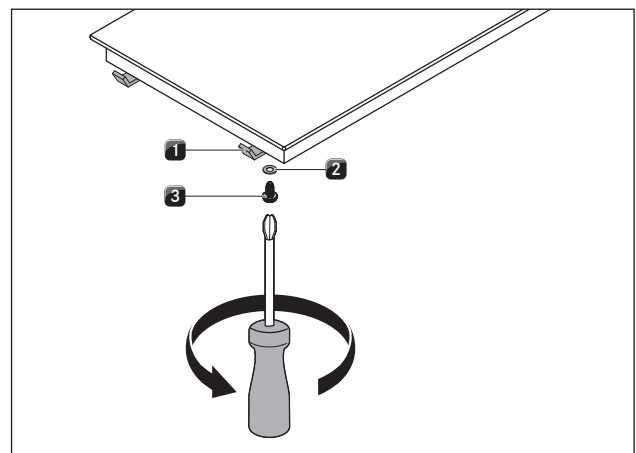


Fig. 4.32 Securing the cooktops

- [1] Mounting bracket
[2] Washer
[3] Screw

- ▶ Secure the cooktop using the four mounting brackets [1].
- ▶ To do this, tighten the mounting brackets with a screw [3] using the washers [2] with max. 2 Nm.
- ▶ Do not use a cordless screwdriver or similar electrical device to secure the cooktops.
- ▶ Check that the alignment and installation height are correct.

Tepan stainless steel grill CKT

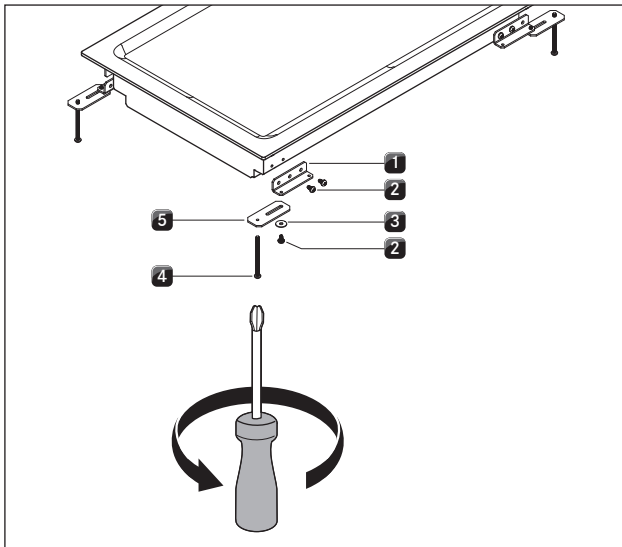


Fig. 4.33 Securing the Tepan stainless steel grill

- [1] Angled plate
- [2] Screws
- [3] Washer
- [4] Screw (60 mm)
- [5] Mounting bracket

INFO Before the Tepan stainless steel grill can be laid in the cut-out, the 4 angled plates [1] must be fitted.

- ▶ Secure the cooktop using the four mounting brackets [5].
- ▶ To do this, tighten the mounting brackets with the screws [2] and [4] using the washer [3] with max. 2 Nm.
- ▶ Do not use a cordless screwdriver or similar electrical device to secure the Tepan stainless steel grill
- ▶ Check that the alignment and installation height are correct.

4.12 Connecting external switch contacts

INFO The Home In and Home Out external connections must only be connected by a certified specialist. The specialist also assumes responsibility for the proper installation and commissioning.

When using Home In and Home Out, you will require the relevant documents for the external switch devices in order to ensure safe device connection and operation. The following switch contacts can be used:

Contact	Function	Connection
Home In	Cooktop extractor on/off connection for external switch contact (contact closed: cooktop extractor on)	24V DC 100 mA
Home Out	Electrically isolated contact for controlling external installations depending on the operating status of the cooktop extractor (cooktop extractor on: contact closed)	maximum 250 VAC/30 VDC, 2.5A

Tab. 4.5 Switch contacts

INFO The Home In contact can be used for external safety devices (e.g. window contact switches). If the switch is open, the cooktop extractor is off.

INFO No window contact switches may be installed that interrupt the control unit power supply (phase separation). Only the built-in interface is to be used.

Preparing the control unit

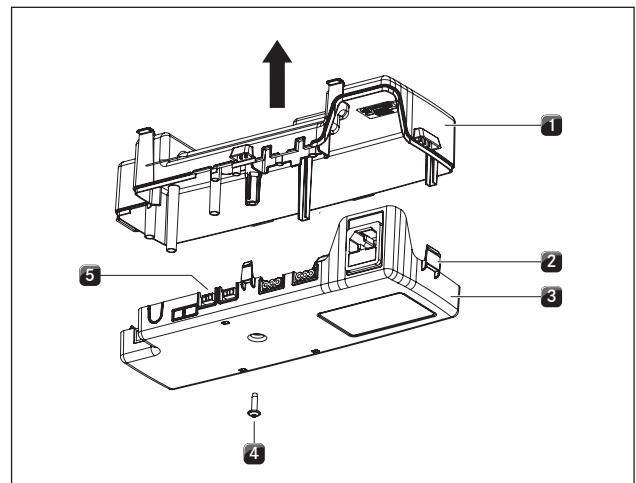


Fig. 4.34 Opening the control unit housing cover

- [1] Housing cover
- [2] Locks
- [3] Housing subshell
- [4] Screw
- [5] Electronic unit

- ▶ Ensure that the control unit is disconnected from the power supply.
- ▶ Loosen the screw [4] on the housing cover [1].
- ▶ Carefully release all locks [2] with a slotted screw driver.
- ▶ Remove the housing cover [1] from the housing subshell [3] by lifting it up.
- ▶ Do not touch the electronic unit [5].

INFO The electronic unit can contain residual charge. You must therefore be careful not to touch the exposed contacts on the electronic unit.

Preparing connection cables for external switching equipment

Use connection cables of the following types and manufacturers to connect external switching equipment.

Contact	Connection cable
Home In	H03VV-F 2x 0.5mm ²
Home Out	H03VVH2-F 2x 0.75mm ²

Tab. 4.6 Connection cable

INFO The connection cable is only intended for internal use in buildings, private households, kitchens or offices!

INFO The overall length of the connection cable for external switching equipment must not exceed 10 m!

► Prepare the connection cable in accordance with the prescribed stripping lengths.

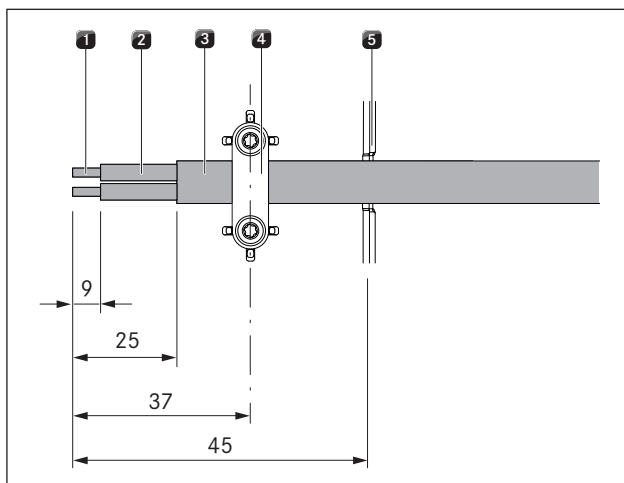


Fig. 4.35 Stripping lengths and installation position of the connection cable

- [1] Stripped wire end
- [2] Insulated wire
- [3] Jacketed cable
- [4] Strain relief clamp
- [5] Cable feed snap-out element

- Please adhere to the maximum stripping length of the individual wires of 9 mm on the stripped wire end [1].
- Please adhere to the maximum stripping length of the outer sheath of 25 mm on the insulated wire [2].

Installing the external switch device

Depending on the type of switch device, connect the connection cables to either the Home In or the Home Out connection clamp.

► Adhere to the connection diagram when connecting Home In and Home Out.

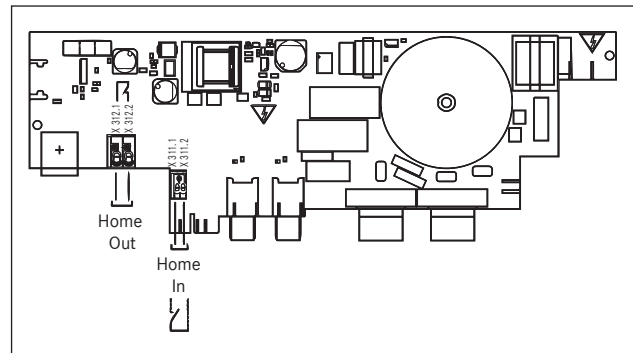


Fig. 4.36 Connection diagram for the external switch contacts

► Connect the cable for the relevant contact to the switch contact clamp in accordance with the connection diagram.

■ In order to connect the Home In interface, the installed bridge must be removed.

INFO The Home In contact must be bridged if this is not used (bridged on delivery).

INFO For connections to the Home In connection clamp, no ferrules may be used.

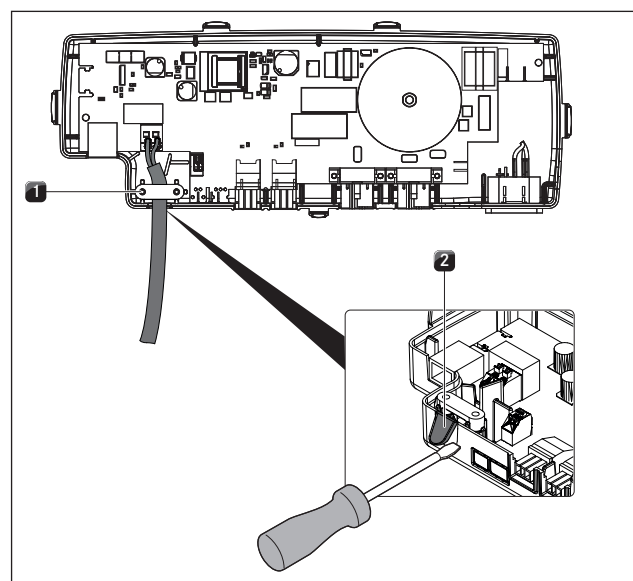


Fig. 4.37 Home Out contacts with strain relief

- [1] Strain relief clamp
- [2] Snap-out element for cable feed

► Clamp the connection cable in the strain relief clamp [1] in accordance with the wire cross section used.

► Remove the snap-out element [2] required for the cable feed from the plastic housing of the control unit.

INFO If external switching devices are connected both to the Home In and Home Out interfaces, both cables should be secured with the strain relief clamp.

- ▶ Check the correct installation, as well as the firm positioning of the connection cables.
- ▶ Close and secure the control unit cover.
- ▶ Screw down the lid with the screw provided (max. 2 Nm).
- ▶ Make sure that the cable is not damaged or trapped.

4.13 Establishing communication and power connection

INFO The cooktops of the BORA Classic 2.0 system can only be operated with the central operating unit of the cooktop extractor CKA2.

INFO The communication link between the cooktop extractor and cooktops is established via the control lines of the central operating unit.

INFO The cooktops have their own electricity supply. This must be connected during installation.

INFO The central operating unit is supplied with electricity by the communication cable.

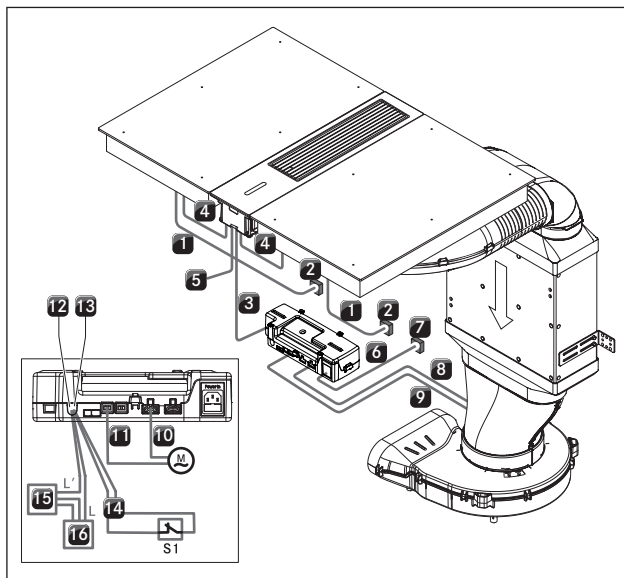


Fig. 4.38 Connection diagram for cooktop extractor CKA2

- [1] Cooktop mains cable
- [2] Power supply per cooktop
- [3] CAT 5e communication cable
- [4] CAT 5e cooktop communication cable
- [5] USB interface
- [6] Control unit mains cable (country-specific)
- [7] Control unit power supply
- [8] Fan 1 mains cable

- [9] Fan 1 control cable
- [10] Fan 2 mains cable
- [11] Fan 2 control cable
- [12] Home Out connection
- [13] Home In connection
- [14] Home In connection cable
- [15] External device
- [16] Power supply cable for external device
- [M] Fan 2
- [S1] External switch contact

4.13.1 Establishing contact between the cooktop extractor and cooktops

- ▶ Only use the cables supplied in the scope of delivery.

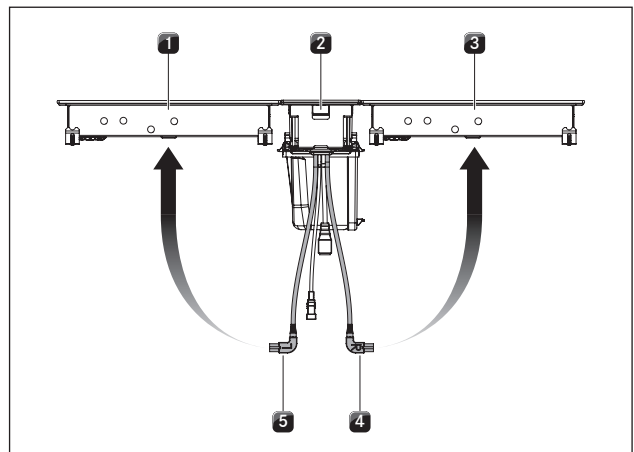


Fig. 4.39 Connecting the control cables to the cooktops

- [1] Left cooktop
- [2] Cooktop extractor
- [3] Right cooktop
- [4] Right cooktop control cable (R)
- [5] Left cooktop control cable (L)

- ▶ Connect the cooktop extractor control cables to the adjacent cooktops.
- ▶ Ensure that each cable is connected to the correct socket.
- The right angle connectors of the control cables are labelled L (left) and R (right).

4.13.2 Fitting split ferrite sleeves

INFO The cooktop extractor connection cable must be filtered with a ferrite sleeve for reasons of electromagnetic compatibility.

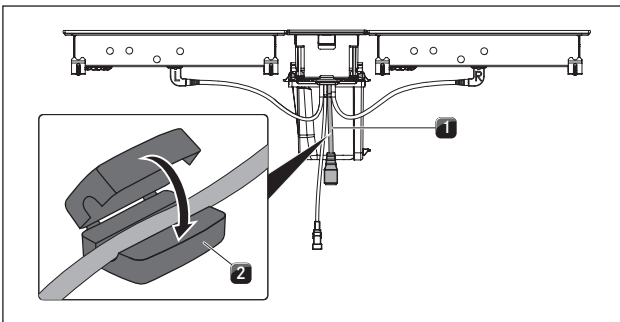


Fig. 4.40 Fitting split ferrite sleeves

- [1] Connection cable
[2] Split ferrite sleeve

- ▶ Fit the split ferrite sleeve [2] provided in the scope of delivery to the connection cable [1].

4.13.3 Establishing contact between the operating unit and control unit

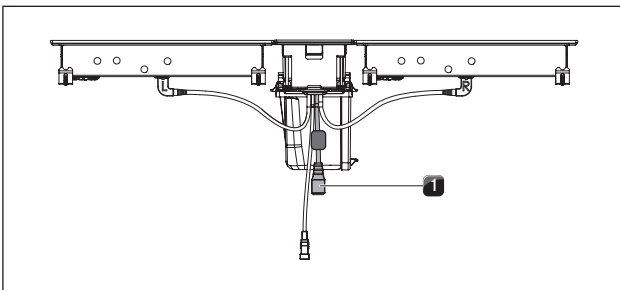


Fig. 4.41 Socket for the CAT 5e communication cable on the operating unit

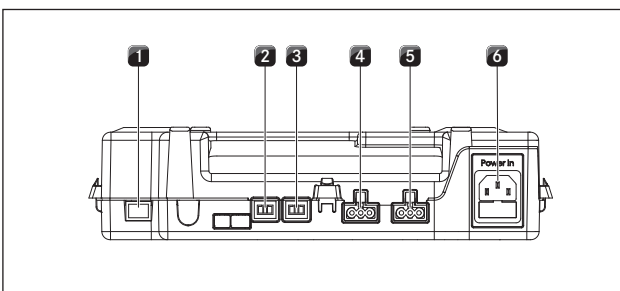


Fig. 4.42 Control unit connections

- [1] CAT 5e communication cable socket
[2] Control unit socket for fan 2
[3] Control unit socket for fan 1
[4] Mains cable socket for fan 2
[5] Mains cable socket for fan 1
[6] Mains cable socket with micro fuse

- ▶ Using the CAT 5e communication cable (included in the scope of delivery) link the connections [1] on the operating unit to the control unit.

INFO The operating unit is controlled by and receives its power supply via the CAT 5e communication cable.

4.13.4 Connecting fans to the control unit

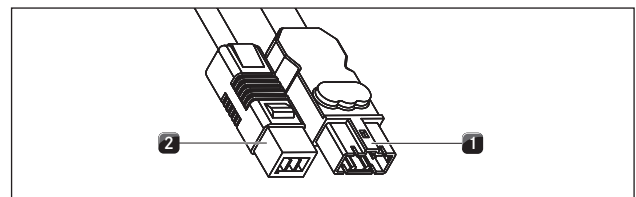


Fig. 4.43 Fan connection plug

- [1] Fan mains cable connection plug
[2] Fan control cable connection plug

- ▶ Connect the fan control cable [2] to the control unit.
- ▶ Connect the fan mains cable [1] to the control unit.
- When connecting the fan control cable and mains cable it does not matter if you use socket 1 or 2 on the control unit.

4.13.5 Positioning the control unit

INFO The control unit must be placed inside the kitchen unit.

INFO Position the control unit inside the kitchen unit in such a way that it cannot be freely accessed by the user (e.g. behind the plinth panel).

Permitted positions inside the kitchen unit:

- loose on a false floor
- loose on the shallow duct
- mounted on the kitchen unit

INFO When positioning the control unit please observe the length of the mains cable (1 m).

4.13.6 Connecting to the mains

- ▶ Observe all safety and warning information (see the Safety chapter).
- ▶ Observe all national and regional laws and regulations as well as the supplementary regulations of the local utility companies.

INFO The power connection may only be established by certified specialists. The specialist also assumes responsibility for the proper installation and commissioning.

Special information for CKT:

INFO The Classic Tepan stainless steel grill CKT is intended to be operated on a supply network with an impedance Z_{max} at the transfer point (mains connection) of 0.1247 ohms maximum. The user is to ensure that the appliance is only operated on a mains supply network which meets this requirement. If necessary, ask the local energy supply company about the system impedance.

Cooktop power connection

The mains cable to be used (pre-assembled) must be at least Type H05V2V2-F.

Connection	Fuse protection	Minimum cross-section
1-phase connection	1 x 16 A	1.5 mm ²

Tab. 4.7 Fuse protection and minimum cross-section

INFO A damaged mains cable must be replaced by another suitable mains cable. This may only be done by an authorised member of the After Sales Service team.

- ▶ Switch off the main switch/automatic circuit breaker before connecting the cooktop.
- ▶ Secure the main switch/automatic circuit breaker against being switched back on without permission.
- ▶ Make sure the power to the appliance is disconnected.
- ▶ Only connect the cooktop using a fixed mains connection.

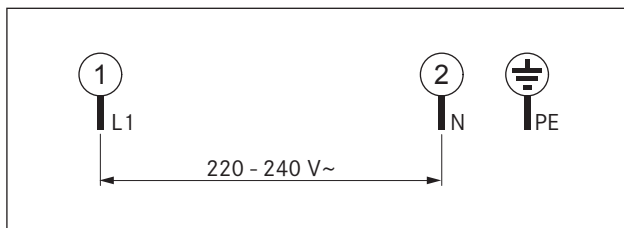


Fig. 4.44 Connection diagram 1-phase connection cooktop

Connecting the control unit to the power supply

- ▶ Connect the mains cable for the control unit to the mains.
- ▶ Check that installation has been carried out correctly.
- ▶ Switch on the main switch/automatic circuit breaker.

4.14 Gas installation (only in the case of gas cooktop CKG)

The gas connection may only be carried out by an authorised gas fitter in accordance with applicable legal and local regulations. Comply with local utility company regulations.

Country	Regulation/guidelines
Germany	DVGW TRGI 2018 and DVGW-worksheet G 600
Austria	ÖVGW-GK guidelines
Switzerland	SVGW Gas Regulations G1 EKAA guideline 6517 Regulations of the Vereinigung Kantonaler Feuerversicherungen (VKF)
Netherlands	Regulations of standard NBN D 51-003
Belgium	Regulations and connection requirements of the gas supply company (G.D.F.) and electricity supply company (E.D.F.)
France	

Tab. 4.8 Country requirements (information supplied without liability)

4.14.1 Ventilation

This appliance is not connected to a flue gas evacuation device. It must be positioned and connected in accordance with the applicable installation conditions. Suitable ventilation measures must be adhered to in particular.

- ▶ Always ensure sufficient ventilation during operation (of the appliance).

4.14.2 Gas connection

This gas cooking appliance corresponds to device class 3. It is equipped with a flexible connection tube. The gas hose must meet the requirements of EN14800.

- The installation of a gas bayonet socket in the adjacent unit is recommended.
- The connection of liquid gas (LPG) is performed with the interconnection of a sealed connection socket (pipe D: 8 x 1 mm).
- The connection to the gas supply is to be created with flexible and seamless pipes made from stainless steel.
- The connection with a bayonet hose is to be created in accordance with DIN 3383 with a maximum length of 1500 mm.
- The connection bracket and connection pieces must be equipped with a 1/2 inch external thread in accordance with the regulatory country requirements (see table 4.8).
- ▶ Connect the appliance as follows:
 - ▶ Switch all appliances off.
 - ▶ Close the gas supply.
 - ▶ Switch off the main switch/automatic circuit breaker before connecting the cooktop.
 - ▶ Secure the main switch/automatic circuit breaker against being switched back on without permission.
 - ▶ Make sure the power to the appliance is disconnected.
 - ▶ Check the gas type and gas pressure of the gas supply pipe.
 - ▶ Ensure that the appliance is equipped with the correct nozzle type in order to guarantee a correct burner flame and safe operation.
 - ▶ Remove the protective cap from the connection tube.
 - ▶ Use a bayonet socket to connect this directly to the connection of the gas cooktop using a permitted hose clip to prevent any leakage of gas.
 - Only use the connection permitted in your country.
 - ISO 228-1/ISO7-1(EN10226): cylindrical/conical
 - ISO 228-1/ISO 228-1: cylindrical/cylindrical
 - ▶ Connect the appliance to the gas supply pipe.
 - ▶ Tighten all connections so that they are secure.
 - ▶ Check that installation has been carried out correctly.
 - ▶ Check the correct functioning of the stopcock.
 - ▶ Check the tightness of the gas connection by conducting a leak test.
 - ▶ Ensure that there is no risk of ignition sparks.
 - ▶ Do not use fire or an open flame.
 - ▶ Use suitable testing equipment to check all the connections between the cooktop and the gas connection.
 - ▶ When using a leak spray for this process, ensure that you wet all connections.

- ▶ Shut off the gas supply if you determine that gas is escaping and ventilate the room.
- ▶ Seal the point from which the gas is leaking.
- ▶ Re-check all connections and the gas connection.
- ▶ Repeat the leak test until all connections are tight.
- ▶ Create a leak test record and give this to the user.
- ▶ Switch on the main switch/automatic circuit breaker.
- ▶ Start up the system (see the Operation section)
- ▶ Check all the functions of the cooktop extractor and cooktop are working correctly.
- ▶ Check the burner flame is working correctly, particularly when the cooktop extractor is in use.

4.14.3 Changing the gas type

INFO The burner nozzles, gas type and pressure may only be changed by a certified engineer or BORA service technician. He/she also assumes responsibility for the proper gas installation and commissioning.

- ▶ Switch all appliances off.
- ▶ Close the gas supply to the gas supply pipe.
- ▶ Switch off the main switch/automatic circuit breaker.
- ▶ Secure the main switch/automatic circuit breaker against being switched back on without permission.
- ▶ Make sure the power to the appliance is disconnected.

Changing the gas burner nozzle in the gas burner

INFO The nozzles regulate the maximum gas throughflow for each burner and gas type/pressure.

INFO The gas cooktop is set by default to natural gas G20/20mbar (pre-assembled).

INFO Use only stamped and approved nozzles.

The stamp on the nozzles corresponds to the values in the nozzle table and can be found either on the top or side of the nozzles.

EU		
Gas type/ gas pressure mbar	Ø SR burner/ normal burner	Ø R burner/ high-power burner
G20/20	104	125
G25/20	110	131
G20/10	122	155
G20/13	115	149
G25/25	104	131
G25.3/25		
G20/25	100	119
G30/29	69	85
G31/37		
G30/50	62	78
G30/31 – 50 mbar		

Tab. 4.9 Nozzle table

Total nominal connection values for liquid gas:

Gas type	mbar	kW	g/h	m ³ /h
G30/G31	50	4.90	328	0.129
G30	29	5.00	348	0.137

Tab. 4.10 Liquid gas nominal connection values

Total nominal connection values for natural gas:

Gas type	mbar	kW	m ³ /h
G20	20	5.00	0.449
G25	25	5.10	0.538
G25.3	25	5.10	0.538
G20	13	5.10	0.486
G25	20	4.80	0.501

Tab. 4.11 Natural gas nominal connection values

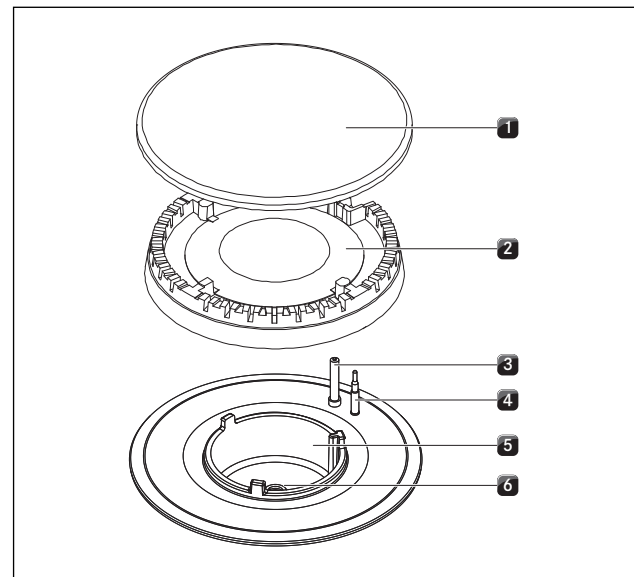


Fig. 4.45 Gas burner structure

- [1] Burner cap
- [2] Burner head
- [3] Electric igniter
- [4] Safety thermocouple
- [5] Burner housing
- [6] Gas burner nozzle

- ▶ Remove the pan support.
- ▶ Remove the burner cap [1] from the burner head [2].
- ▶ Remove the burner head [2] from the gas outlet.

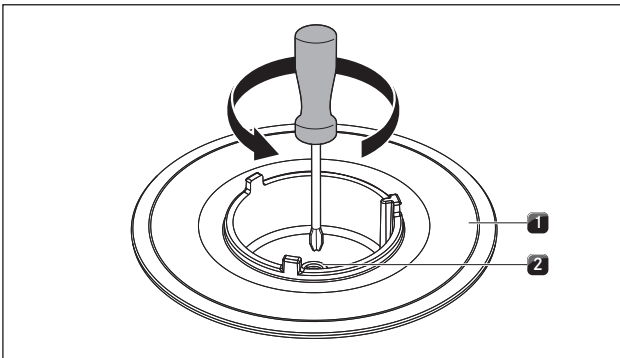


Fig. 4.46 Cooktop burner with gas burner nozzle

- [1] Gas burner
[2] Gas burner nozzle

- ▶ Unscrew the gas burner nozzle [2] from the gas burner [1]
- ▶ Screw the corresponding nozzle for the gas type to be used into the gas burner [2].
- ▶ Put the burner parts back together again.
- ▶ Position the burner head [2] correctly on the gas outlet.
- ▶ Ensure that the safety thermocouple [4] and the electric igniter [3] are positioned in the correct opening.
- ▶ Position the burner cap [1] so that it fits perfectly, sitting straight on the burner head [2].
- If burner parts are not positioned correctly, the electric igniter will not work.
- ▶ Place the pan support straight on the gas burner so it fits perfectly.

Affixing the nozzle set nameplates

- ▶ Affix the nozzle set nameplates supplied in the space provided above the nozzle nameplate on the bottom of the cooktop (see fig. 4.46) and on the inside of the back cover of the operating instructions.

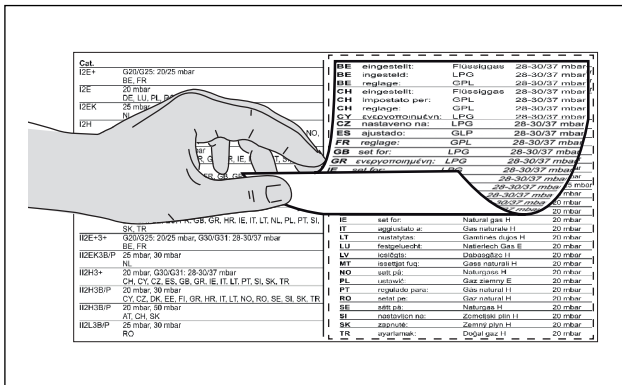


Fig. 4.47 Affixing the nozzle set nameplates

4.14.4 Gas configuration

INFO The burner nozzles, gas type and pressure may only be changed by a certified engineer or BORA service technician. He/she also assumes responsibility for the proper gas installation and commissioning.

INFO Gas characteristic curve A must not be used in the case of liquid gas (G30/31).

INFO It is important that the gas type, gas pressure and characteristic curve are set correctly to ensure safe, failure-free operation of the gas cooktop.

INFO Detailed information on the gas configuration menu can be seen in the operating instructions.

- ▶ Enter the settings in the gas configuration menu (see operating instructions, Extended menu chapter).

4.15 Initial operation

INFO You will find detailed operating instructions for the BORA Classic 2.0 system in the operating instructions (see Operation chapter).

- ▶ Ensure that all devices are connected correctly prior to initial operation and are connected to the power supply (fused).
- Exception: During initial operation, the kitchen fitter may use a temporary power supply for the control unit in order to carry out the basic configuration (e.g. using the site power supply during the building phase).
- The settings made are saved and will not be affected when the system is disconnected from the mains.
- The final mains connection to the appliances may only be set up by certified specialists.
- ▶ Start the system (long press on the power button).
- **CONF** is shown in the display and the fan symbol flashes red to indicate that the basic configuration is incomplete.
- ▶ Check that all cooktops are displayed according to the way they are installed.
- ▶ To do this, check the display on the operating panel (cooking zone indicators).

If cooktops have not been recognised correctly:

If cooktops are not correctly recognised by the system, they will either not be displayed at all or will be shown with an error code **E** (also see Operating instructions, Troubleshooting chapter).

- ▶ Switch the system off (long press on the power button)
- ▶ Check the connections of the communication cables
- ▶ Check the cooktop electricity supply
- ▶ Switch the system back on again and check that all cooktops have been correctly recognised.

If all cooktops have been recognised correctly:

- ▶ Carry out the basic configuration.

4.15.1 Function test

- ▶ Carry out a thorough function test on all devices.
- ▶ In the event of error messages, see the “Troubleshooting” chapter in the operating instructions.

Function test on gas cooktop CKG

- ▶ Switch the cooking zone on.

The electronic gas regulator will calibrate itself (humming noises) and then the gas flame will automatically ignite in the selected cooking zone.

The gas flame will burn steadily and evenly.

Using the gas cooktop together with the cooktop extractor for the first time

- ▶ Switch the cooktop extractor to the maximum power level.
- ▶ Switch all cooking zones to the minimum power level. The electronic gas regulator will calibrate itself (humming noises) and then the gas flame will automatically ignite in the selected cooking zone. The gas flame will burn steadily and evenly (no reignition). The gas flame will be slightly affected by the cooktop extractor (airflow) – this is normal.

INFO If the gas flame goes out, is excessively affected by the extractor and/or the flame is not as it should be (e.g. soot production, flame blowback, etc.), the characteristic curve must be increased, as well as the ventilation in exhaust air mode, if necessary, or the return flow aperture in recirculation mode.

Faults when using gas cooktop CKG for the first time

When operating for the first time or after a prolonged period without use or when the liquid gas bottles have been changed, faults are possible:

- The burner does not ignite.
 - There may be air in the gas pipe.
- ▶ Repeat the ignition process.
- The burner does not ignite and the cooktop does not react.
 - The electronic gas regulator must be recalibrated.
- ▶ Using the gas configuration menu, reset the gas regulator.

4.16 Sealing the devices

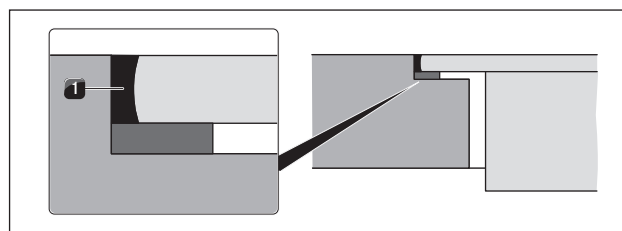


Fig. 4.48 Silicone sealant for flush installation

- [1] black, heat-resistant silicone sealant

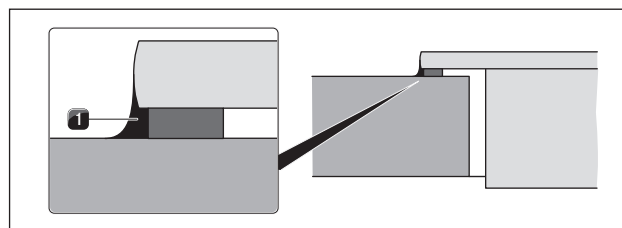


Fig. 4.49 Silicone sealant for surface mounting

- [1] black, heat-resistant silicone sealant

- ▶ Once all of the installation work and initial operation is complete, seal the devices all around with black, heat-resistant silicone sealant (also between the cooktop extractor and cooktop) [1].
- ▶ Make sure that no silicone sealant gets under the cooktop.

4.17 Handover to user

Once installation is complete:

- ▶ Explain the main functions to the user.
- ▶ Explain all safety-related aspects of operation and handling to the user.
- ▶ Affix the identification plates provided to the penultimate page in the operating instructions (see Operating instructions, Identification plates chapter).

If a CKG gas cooktop is installed:

- ▶ also affix the nozzle set nameplate to the inside of the back cover of the CKG gas cooktop operating instructions.
- ▶ Provide the user with the accessories and operating and installation instructions, which are to be kept in a safe place.

5 Decommissioning, disassembly and disposal

- ▶ Observe all safety and warning information (see the Safety section).
- ▶ Follow the enclosed manufacturer's information.

5.1 Decommissioning

Decommissioning is understood as final shutdown and disassembly. Following decommissioning, the device can either be installed into other units, sold on privately or disposed of.

INFO Electricity and gas connections may only be disconnected by qualified specialists.

- ▶ To decommission, switch the device off (see Operation section)
- ▶ Disconnect the device from the power supply.
- ▶ Disconnect the device from the gas supply.

5.2 Disassembly

For removal, the device must be accessible for disassembly and disconnected from the power supply. For gas devices, make sure the gas connection is disconnected.

- ▶ Undo the mounting brackets.
- ▶ Remove the silicone joints.
- ▶ Disconnect the device from the extractor duct.
- ▶ Remove the device from the worktop by lifting it upwards.
- ▶ Remove any other accessories.
- ▶ Dispose of the old device and any contaminated accessories as described under "Environmentally-friendly disposal".

5.3 Environmentally-friendly disposal

Disposal of transport packaging

INFO The packaging protects the device from damage in transport. The packaging materials have been selected from environmental and disposal perspectives and are therefore recyclable.

Returning the packaging to the materials cycle saves resources and reduces waste volumes. Your specialist supplier will take the packaging back.

- ▶ Give the packaging to your specialist supplier or
- ▶ Dispose of the packaging properly in line with local regulations.

Disposal of old appliance



Electrical devices marked with this label may not be disposed of in domestic waste at the end of their service life. They must be disposed of at a collection point for the recycling of old electrical or electronic devices. You can find information from your city or district council.

Many electrical and electronic devices still contain valuable materials. But they also contain damaging materials which were necessary for them to function properly and safely. These can damage human health or the environment if disposed of improperly or incorrectly handled.

- ▶ Never put your old appliance in domestic waste.
- ▶ Take the old appliance to a regional collection point for return and recycling electrical and electronic components and other materials.

Germany:

BORA Lüftungstechnik GmbH
Rosenheimer Str. 33
83064 Raubling
Germany
Tel. +49 (0) 8035/9840-0
Fax +49 (0) 8035/9840-300
info@bora.com
www.bora.com

Austria:

BORA Vertriebs GmbH & Co KG
Innstraße 1
6342 Niederndorf
Austria
Tel. +43 (0) 5373/62250-0
Fax +43 (0) 5373/62250-90
mail@bora.com
www.bora.com

Europe:

BORA Holding GmbH
Innstraße 1
6342 Niederndorf
Austria
Tel. +43 (0) 5373/62250-0
Fax +43 (0) 5373/62250-90
mail@bora.com
www.bora.com

Australia – New Zealand:

BORA APAC Pty Ltd
100 Victoria Road
Drummoyne NSW 2047
Australia
Tel. +61 2 9719 2350
Fax +61 2 8076 3514
info@boraapac.com.au
www.bora-australia.com.au

