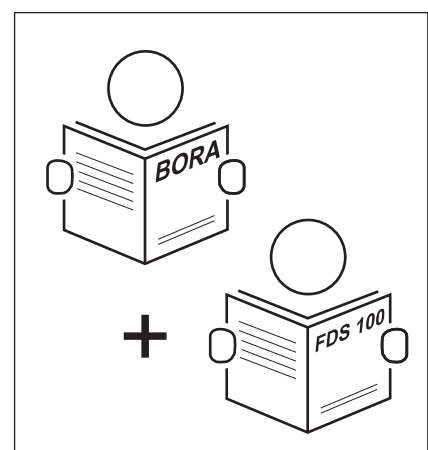
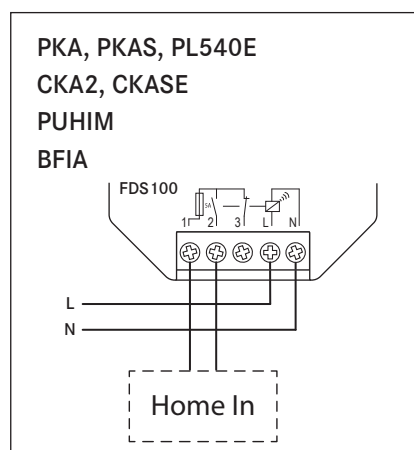
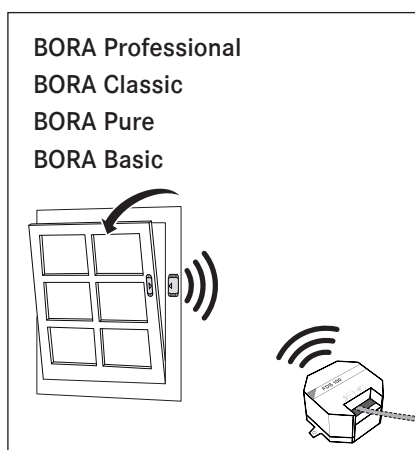
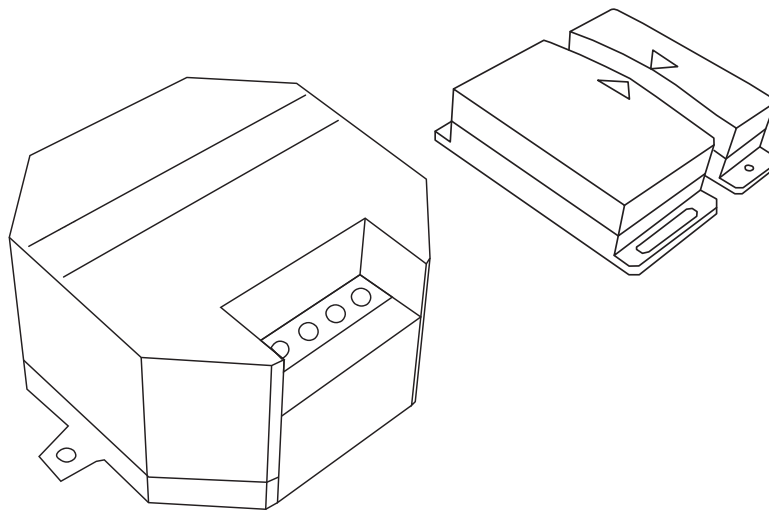


**DE** Montageanleitung UFKS

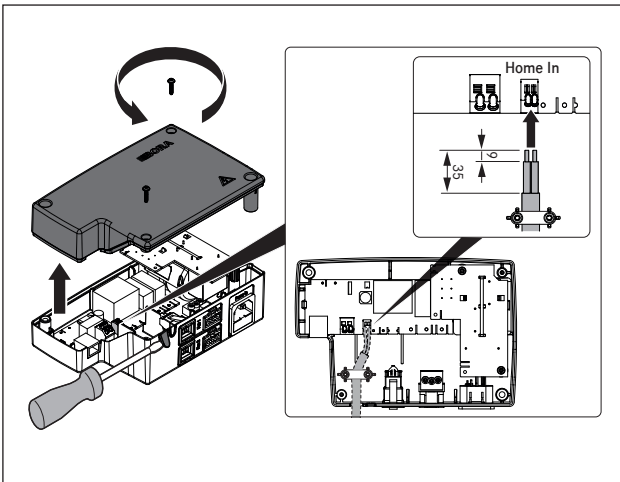
BORA Fensterkontaktschalter

**EN** Installation Manual UFKS

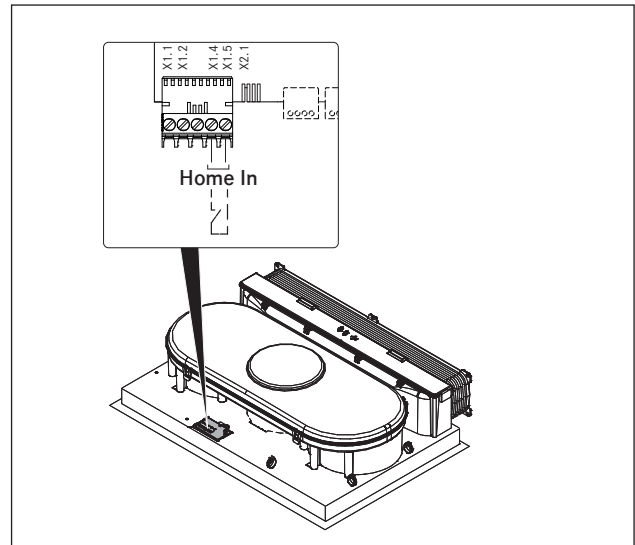
BORA window contact switch



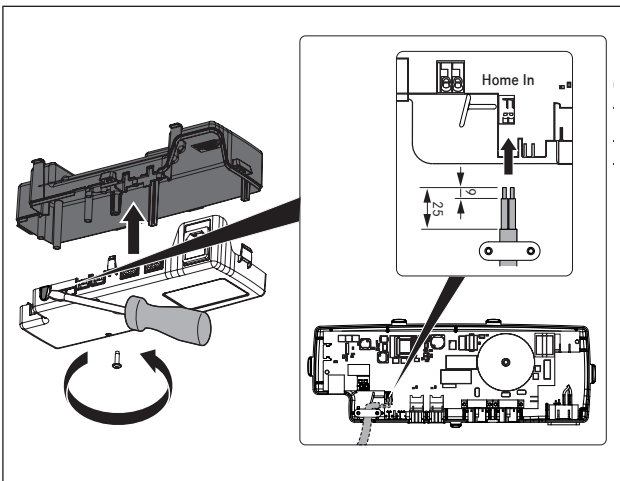
PKA, PKAS, PL540E, CKASE



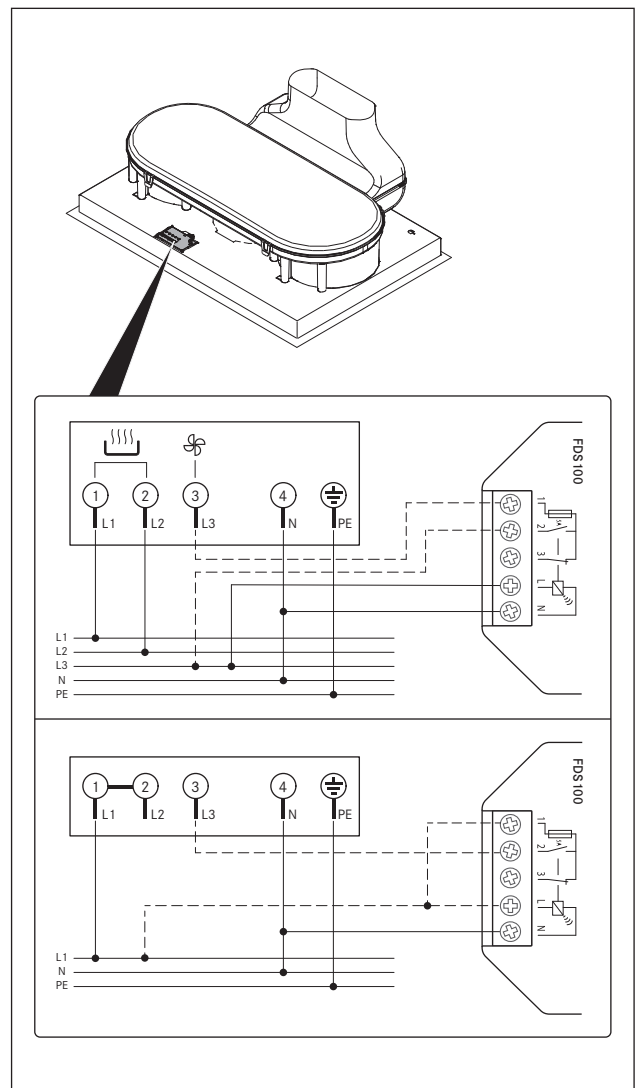
BFIA



CKA2



BIA, BHA



PUHIM (Pure)

