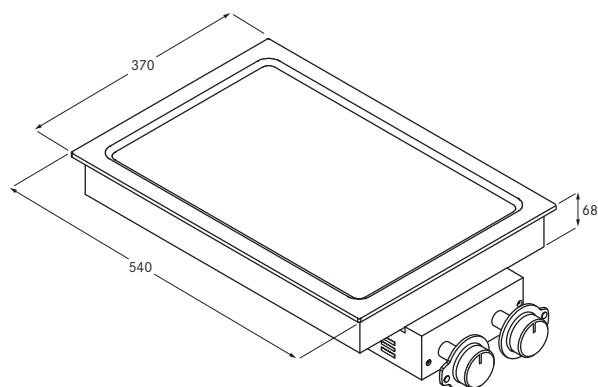


BORA Tepan stainless steel grill with 2 cooking zones




Technical data

Supply voltage	380 – 415 V 2N
Frequency	50 Hz
Maximum power consumption	4.8 kW
Maximum power rating	4.8 kW
Minimum fuse protection	2 x 16 A
Power control	1 – 9, freely adjustable
Weight (incl. accessories/packaging)	19.7 kg
Surface material	Stainless steel, brushed
Temperature control range	60 – 250 °C
Power supply cable	1.5 m
Dimensions (width x depth x height)	370x540x68 mm
Front cooking surface	2400 W
300 x 235 mm	
Rear cooking surface	2400 W
300 x 235 mm	

Product description

- Full-surface Tepan stainless steel grill with two cooking zones
- 6 mm deep-drawn and brushed stainless steel with rounded inner corners for simple cleaning
- Temperature of the two cooking zones can be freely and separately controlled
- Childproofing feature

Scope of delivery

- PT 11 Tepan stainless steel grill
- PTSK2 control box with electronic controls (power level sleeve, control knob, adjustment plates)
- Mounting rail and straps
- PTTS1 Tepan scraper
- Drilling template
- Height adjustment plate set
- Operating and installation instructions
- Power supply cable 

Accessories

(can be ordered separately)

- PTKV10 100 cm cable extension