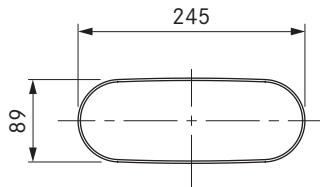
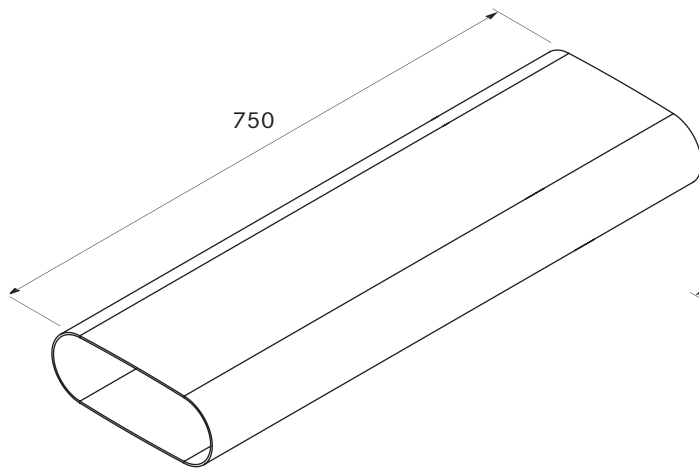


EF750/1

BORA Ecotube shallow duct 750mm



technical data

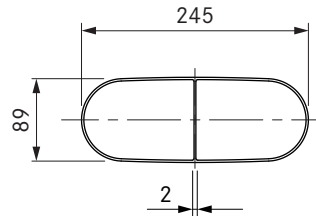
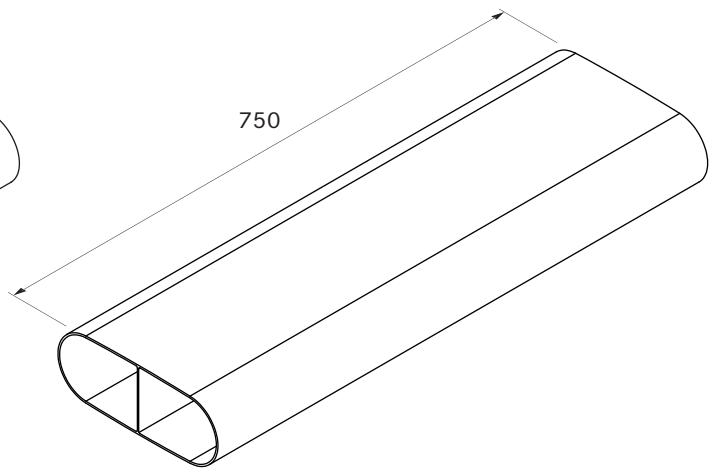
Material property	V0 acc. to UL94, B1 acc. to DIN 4102-1
Number of seals required	-
Weight	1.6 kg
Dimensions (WxDxH)	245 x 750 x 89

Product description

- Optimal extraction performance with the lowest possible noise level
- own duct system
- Full flexibility in the exhaust ducting
- 100% tight without additional taping
- Fire protection class V0 and material class B1
- Individually shortenable
- Polished inner walls and oval cross section
- Complete BORA system

EFS750/1

BORA Ecotube shallow duct with partition 750mm



technical data

Material property	V0 acc. to UL94, B1 acc. to DIN 4102-1
Number of seals required	-
Weight	1.7 kg
Dimensions (WxDxH)	245 x 750 x 89 mm

Product description

- Especially suited for installation in the floor structure
- Optimal extraction performance with the lowest possible noise level
- own duct system
- Full flexibility in the exhaust ducting
- 100% tight without additional taping
- Fire protection class V0 and material class B1
- Individually shortenable
- Polished inner walls and oval cross section
- Complete BORA system