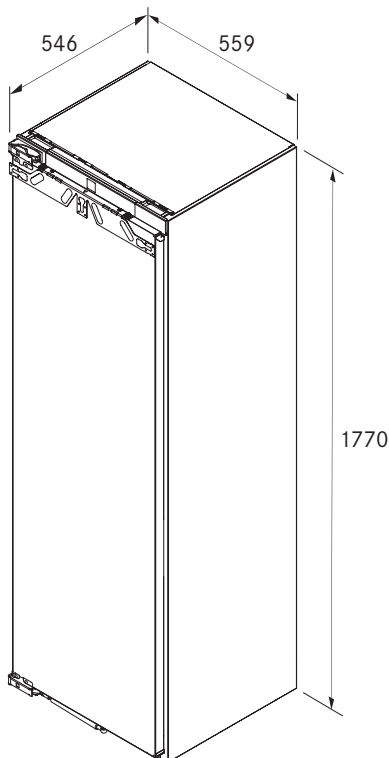


Technical data

Maximum power rating	1,3 A
Supply voltage	220 - 240 V
Frequency	50/60 Hz
Number of controllable cooling circuits	1
Freezer compartment temperature range	-15 °C to -28 °C
Defrost procedure	NoFrost
Storage time in the event of a fault acc. to GS	9 h
Freezing capacity in 24 h acc. to GS	10 kg / 24 h
Number of drawers in the freezer compartment	8
Length inlet tube	2,2 m
Connection inlet tube	3 / 4"
Installation method	Built-in device
Max. door front weight for refrigeration compartment/freezer compartment	26 kg
Door hinge side	left changeable
Door opening angle	115°
Power supply cable type	country-specific
Dimensions (width x height x depth)	560 - 570 x 1772 - 1778 x 550 mm
Weight	60 kg
Weight (incl. accessories/packaging)	62 kg
Total volume	213 l
Freezer compartment volume	213 l
Airborne sound emissions	33 dB(A)
Energy efficiency class	E



Product description

- Ice Maker incl. mains water connection
- BORA Connect - connectivity integrated
- No Frost
- Premium design
- Easy to use
- Broad range of functions and outstanding flexibility
- Features packages and accessories individually selectable
- Simple cleaning

Operation

- Set temperature in freezer compartment (-15 °C to -28 °C)
- BORA Connect
- Party
- Eco
- Lock
- IceMaker on/off
- IceMaker max

Features / Functions

- 3x pull-out shelf incl. back panel
- 1x pull-out shelf high for Ice Maker
- 3x freezer drawers
- 1x multi-tray
- 2x high freezer drawers
- 1x Ice Maker incl. water connector
- 1x ice cube collecting container
- 1x ice cube tongs
- Steamed drawers
- LED lighting for Ice Maker

Safety

- Door open alarm
- Temperature fail alarm

Scope of delivery

- Freeze freezer with water connection F178GW
- Operating and installation instructions
- Power supply cable country-specific (2,2m)
- Mounting accessories

Accessories

- Freeze Better features package for the freezer G178S1
- Freeze Best features package for the freezer G178S2
- Wine cooler KWK
- Multi-tray for Cool/Freeze KMT
- Ice cube tongs KEWZ
- Storage box KVB
- Cube form for Cool/Freeze KVF

Product- and planning instructions

- Fixed door mounting
- Replaceable door seal
- Closing damping
- 2x Adjustable feet for height adjustment
- Leveling rails
- Magnetic piping between furniture and appliance door
- Interchangeable door stop