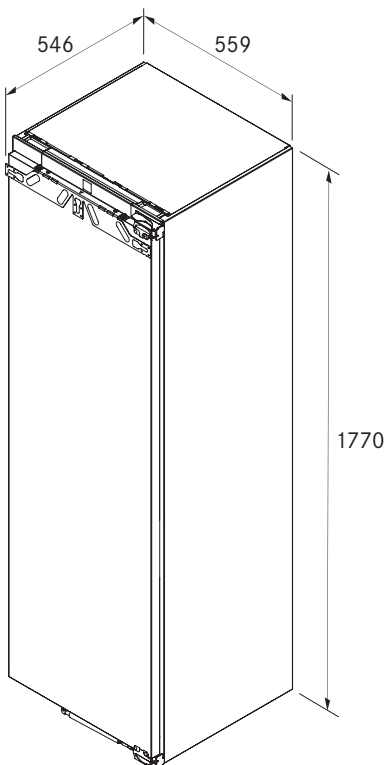
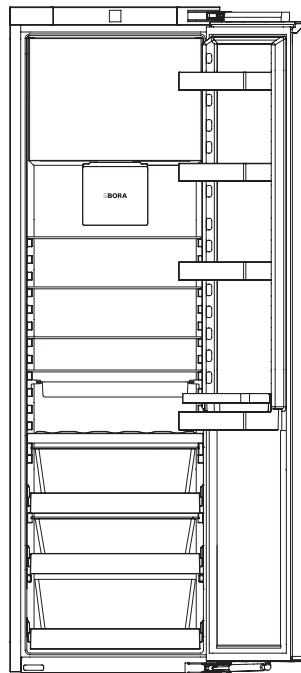


C178KGFS2



Cool set Best for the refrigerator with 4-star freezer compartment



Technical data

Maximum power rating	1,2 A
Supply voltage	220 - 240 V
Frequency	50/60 Hz
Number of controllable cooling circuits	1
Adjustable temperature range of refrigeration compartment	+3 °C to +9 °C
Number of BORA Fresh zero trays	3
Door hinge side	right changeable
Installation method	Built-in device
Weight	69,6 kg
Weight (incl. accessories/packaging)	75,1 kg
Maximum filter service life	1 year
Freezing capacity in 24 h acc. to GS	2 kg / 24 h
Power supply cable type	country-specific
Max. door front weight for refrigeration compartment/freezer compartment	26 kg
Door opening angle	115°
Number of refrigeration compartment shelves	8
Defrost procedure	automatic
Storage time in the event of a fault acc. to GS	14 h
Total volume	276 l
Refrigeration compartment volume	250 l
of which, BORA Fresh zero	98,4 l
Freezer compartment volume	27,1 l
Airborne sound emissions	34 dB(A)
Energy efficiency class	D

Product description

- BORA Fresh zero
- 4-star freezer compartment incl. Smart Frost
- Fresh air - odour filter, convection cooling
- Premium design
- Easy to use
- Broad range of functions and outstanding flexibility
- Features packages and accessories individually selectable
- Simple cleaning
- BORA Connect - connectivity integrated

Operation

- Set temperature for refrigerator compartment (3 °C to 9 °C)
- BORA Connect
- Cleaning
- Power Cool
- Party
- Eco
- Holiday
- Lock

Features / Functions

- 4x height-adjustable glass plates
- 3x height-adjustable tinned foods storage shelf incl. silicone mat
- 3x removable BORA Fresh zero drawers incl. pull-out shelves and 2x humidity regulating cover
- 1x multi-tray incl. holding bars
- 1x parting layer incl. multi-pad
- 1x odour filter
- 1x ventilator cover
- Refrigerator section dry back panel
- Steamed drawers

Safety

- Door open alarm
- Filter change reminder

Scope of delivery

- Cool refrigerator with 4-star freezer compartment C178KGF
- 2 x Cool multi spiked mat KMI
- Multi-tray for Cool/Freeze KMT
- 2 x Cool storage box KVB
- Cool sorting tubs KSW
- Cool serving board KSB
- Cool multi-use hanging rack KMH
- Cool refrigerator storage tray KVS
- Bottle opener KFOE

Accessories

- Odour filter KGFK
- Multi-tray KMT
- Ice cube tongs KEWZ
- Bottle opener KFOE
- Cool serving board KSB
- Multi-use hanging rack KMH
- Multi spiked mat KMI
- Cool storage box KVB
- Sorting tubs KSW
- Refrigerator storage tray KVS
- Cube form KVF

Product- and planning instructions

- Fixed door mounting
- Replaceable door seal
- Closing damping
- 2x Adjustable feet for height adjustment
- Leveling rails
- Magnetic piping between furniture and appliance door
- Interchangeable door stop