

**EN** Operating and installation instructions Stars built-in



---

# Contents

<b>1</b>	<b>General information</b>	<b>3</b>
1.1	Validity of the operating and installation instructions .....	3
1.2	Liability .....	3
1.3	Product conformity .....	3
1.4	Presentation of information .....	3
1.4.1	Safety and warning instructions .....	3
1.4.2	Figures.....	3
<b>2</b>	<b>Safety</b>	<b>4</b>
2.1	Intended use .....	4
2.2	Security instructions .....	4
<b>3</b>	<b>Technical data</b>	<b>5</b>
<b>4</b>	<b>Appliance description</b>	<b>6</b>
4.1	Model description .....	6
4.2	Appliance description .....	6
<b>5</b>	<b>Installation</b>	<b>7</b>
5.1	Scope of delivery .....	7
5.2	Installation on sloping ceilings.....	7
5.3	Installing the light .....	7
<b>6</b>	<b>Cleaning and maintenance</b>	<b>9</b>
6.1	Cleaning.....	9
<b>7</b>	<b>Decommissioning, disassembly and disposal</b>	<b>10</b>
7.1	Decommissioning .....	10
7.2	Disassembly .....	10
7.3	Environmentally-friendly disposal .....	10
7.3.1	Disposal of transport packaging .....	10
7.3.2	Disposal of the old appliance.....	10
<b>8</b>	<b>Warranty, technical service, spare parts, accessories</b>	<b>11</b>
8.1	BORA manufacturer's warranty.....	11
8.1.1	Warranty extension.....	11
8.2	Service.....	11

# 1 General information

These instructions contain important information to protect you from injury and prevent damage to the appliance. Please read these instructions carefully before installing or using the appliance for the first time.

Other documents apply alongside these instructions. Please by all means adhere to all documents that form part of the scope of delivery.

Assembly, installation and commissioning must always occur in line with national laws, regulations and standards. The work must be performed by qualified specialists who know and comply with the additional regulations of the local energy supply companies.

All safety and warning information as well as the handling instructions in the accompanying documents must be observed.

Please keep these instructions in a safe place and pass them on to the next owner where applicable.

## 1.1 Validity of the operating and installation instructions

These instructions apply to several appliance versions. It is therefore possible that some of the features described do not apply to your appliance. The details of the figures contained herein may differ from some appliance versions and are to be understood as schematic diagrams.

## 1.2 Liability

. BORA Holding GmbH, BORA Vertriebs GmbH & Co KG, BORA APAC Pty Ltd and BORA Lüftungstechnik GmbH – hereinafter referred to as BORA – do not assume any liability for damage arising from disregard for or non-adherence to the documents included in the scope of delivery!

Furthermore, BORA shall not be held liable for damage caused by improper installation or failure to observe the safety and warning information!

## 1.3 Product conformity

### Directives

The appliances meet the following EU/EC directives:

- 2014/30/EU EMC Directive
- 2014/35/EU Low Voltage Directive
- 2009/125/EC Ecodesign Directive
- 2011/65/EU RoHS Directive

## 1.4 Presentation of information

We use standard formatting, numbering, symbols, safety instructions, terms and abbreviations so that you can work quickly and safely when using this manual. The article described in these instructions is hereinafter also referred to as an appliance.

Instructions are indicated with an arrow.

► Always follow all instructions in the prescribed order.

Enumerations are indicated with a bullet point at the start of the line:

- Enumeration 1
- Enumeration 2

**i** Information notes point to special features that must be taken into account.



## 1.4.1 Safety and warning instructions

The safety and warning instructions in this manual are emphasised with symbols and signal words. Safety and warning instructions are structured as follows:

 DANGER
Type and source of danger
Results of non-compliance
► Measures to minimise risk

Please note:

- warning symbols draw attention to a high risk of injury.
- The signal word indicates the severity of that risk.

Warning symbol	Signal word	Risk
	Danger	Indicates an immediate, hazardous situation which causes death or serious injury if not respected.
	Warning	Indicates a potentially hazardous situation which can cause death or serious injury if not respected.
	Caution	Indicates a potentially hazardous situation which can cause death or serious injury if not respected.
	Note	Indicates a potentially hazardous situation which can cause property damage if not respected.

Tab. 1.1 Meaning of the warning symbols and signal words

## 1.4.2 Figures

All measurements are provided in millimetres.

## 2 Safety

The appliance complies with the stipulated safety requirements. The user is responsible for the safe use of the appliance, cleaning and maintenance. Improper use can lead to personal injury and damage to property.


### 2.1 Intended use

The appliance is solely intended for general lighting in private households.

This appliance is not intended for:

- professional use
- outdoor use
- heating rooms
- use in mobile installation sites such as motor vehicles, ships or aeroplanes
- use at altitudes of over 2000 m (metres above sea level)
- use when not fully installed

Any other use or any use that goes beyond that which is described here is classed as unintended.

 BORA does not assume any liability for damages caused by incorrect installation, improper use or incorrect operation.

All misuse is prohibited!

### 2.2 Security instructions

#### DANGER

##### Risk of injury from incorrect assembly

Failure to observe the installation instructions can lead to injury.

- ▶ The appliance must only be installed and assembled by trained specialists who are familiar with and comply with the standard national regulations and supplementary regulations of the local utility companies.
- ▶ The appliance may only be installed with the power disconnected.
- ▶ Work on electrical components must only be conducted by trained electrical personnel.
- ▶ Conduct all work extremely attentively and conscientiously.
- ▶ Before handing the appliance or system over to the end user, ensure that it has been correctly installed.

#### CAUTION

##### Dazzle risk from bulb

Looking directly at the bulb can lead to vision disorders and eye irritation.

- ▶ Do not look directly at the light.

### 3 Technical data

Parameter	Value
Lighting type	Pendant light
Supply voltage	220–240 V
Frequency	50–60 Hz
Maximum power consumption	2.8 W
Connection terminal	2-pin
Dimmable	No
Bulb	LED
Light colour	Warm white
Colour temperature	2700 K
Colour rendering index (Ra)	CRI > 90
Lux	230 lm
Direct beam angle	46°
Service life	> 50,000 h
Switching cycles	min. 50,000
Surface material	Metal/plastic
Protection class	3
Ceiling housing dimensions	∅ 107 × 8 mm
Light fixture dimensions	∅ 14 × 330 mm
Weight (incl. accessories/ packaging)	1.2 kg
Energy efficiency class	G

Tab. 3.1 Technical data

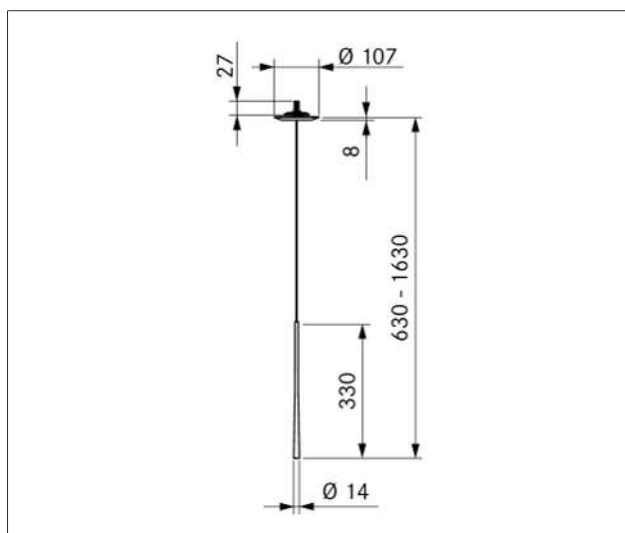


Fig. 3.1 Appliance dimensions

## 4 Appliance description

### 4.1 Model description

Model	Long description
LSESW	Stars pendant light built-in - black
LSESG	Stars pendant light built-in - rose gold
LSEMG	Stars pendant light built-in - moss green

Tab. 4.1 Model description

### 4.2 Appliance description

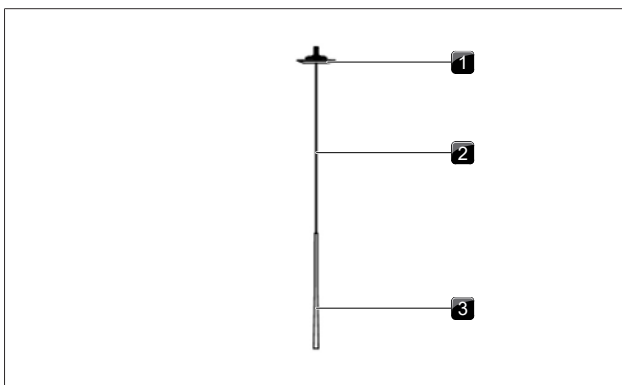


Fig. 4.1 Stars built-in appliance description

- [1] Cover
- [2] Hanging cable
- [3] Light fixture

## 5 Installation

### 5.1 Scope of delivery

#### Checking the scope of delivery

- ▶ Make sure the delivery is complete and check it for damage.
- ▶ Immediately notify the BORA Service Team if parts are missing or damaged.
- ▶ Do not under any circumstances install parts which are damaged.
- ▶ Dispose of transport packaging in the proper manner (see "7 Decommissioning, disassembly and disposal").

Scope of delivery	Quantity
Lights	1
Controllers (not connected)	1
Installation instructions	1

Tab. 5.1 Scope of delivery

- i** Installation materials for fitting the light are not included in the scope of delivery. The installation materials must be selected according to the installation site.

### 5.2 Installation on sloping ceilings

The lights may only be installed on ceilings with a maximum slope of 3°.

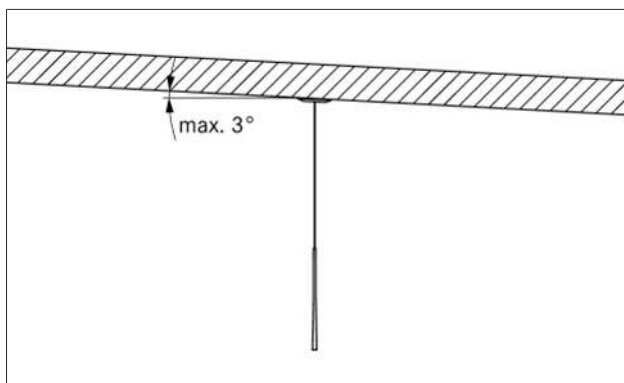


Fig. 5.1 Installation inclination

### 5.3 Installing the light

- ▶ Remove the cover.

- i** The cover is held on by magnets. Hold the controller housing by the opening on the back to lift the cover.



Fig. 5.2 Remove the cover

- i** Only constant current drivers set to 250 mA with an output voltage <math><60\text{ V DC}</math> can be used to operate the light. We recommend using the controller included in the scope of delivery.

- ▶ Connect the controller to the light and power supply according to the circuit diagram.
- The light cables have positive and negative pole markings.

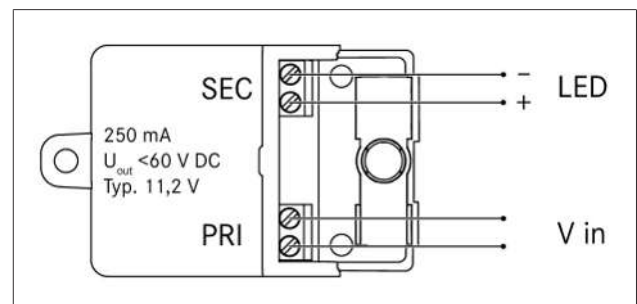


Fig. 5.3 Circuit diagram

- ▶ Insert the controller and the light socket inside the borehole/lamp holder.
- ▶ Secure the light using the tensioning screws.

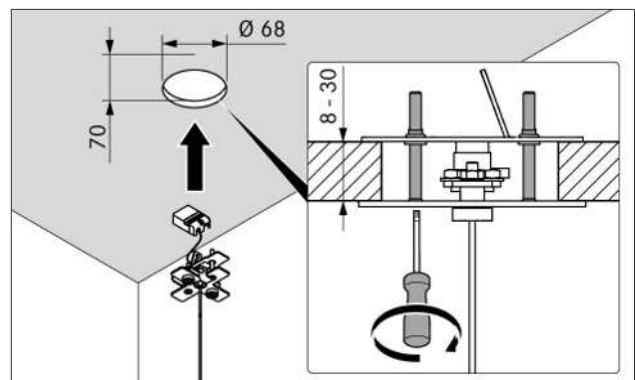


Fig. 5.4 Installing the light

- ▶ Set the desired height of the light fixture.

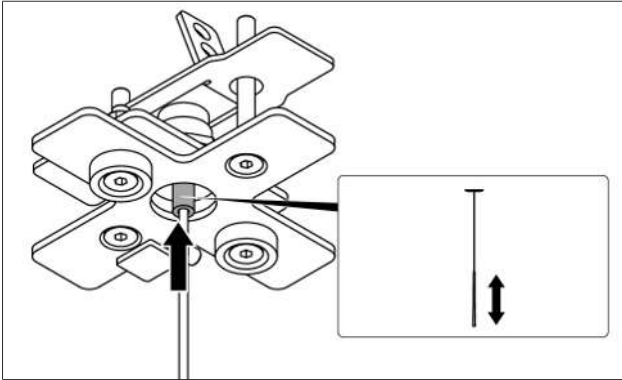


Fig. 5.5 Set the cable length

- Fit the cover using the magnetic holders.
- Ensure that the cables are not trapped by the cover.

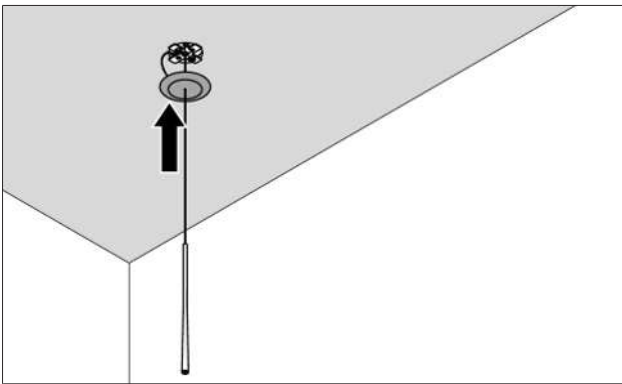


Fig. 5.6 Fit the cover



## 6 Cleaning and maintenance

The bulb on this light cannot be replaced. When the bulb reaches the end of its service life, the whole light must be replaced.

The appliance does not require any maintenance; however, it should be cleaned regularly.

### 6.1 Cleaning

- ▶ Clean the appliance regularly.
- ▶ To clean it, use a cloth slightly dampened with water.

## 7 Decommissioning, disassembly and disposal

- ▶ Observe all safety and warning information (Safety).
- ▶ Follow the enclosed manufacturer's information.

### 7.1 Decommissioning

Decommissioning refers to ultimate decommissioning and disassembly. Following decommissioning, the appliance can either be installed in another unit, sold on privately or disposed of.

**i** The electricity connection may only be disconnected and cut off by certified specialists.

- ▶ Switch the appliance off before decommissioning (see operating instructions)
- ▶ Disconnect the appliance from the power supply.

### 7.2 Disassembly

To be removed, the appliance must be accessible for disassembly and disconnected from the power supply.

- ▶ Remove any housing parts that can be dismantled.
- ▶ Remove the installation aids.
- ▶ Remove the appliance.
- ▶ Dispose of the old appliance and any soiled accessories as described under "Environmentally-friendly disposal".

### 7.3 Environmentally-friendly disposal

#### 7.3.1 Disposal of transport packaging

**i** The packaging protects the appliance from damage during transport. The packaging materials have been selected taking into account the environment and their disposal and are therefore recyclable.

Recycling the packaging saves raw materials and reduces waste. Your specialist retailer will take the packaging back.

- ▶ Give the packaging to your specialist retailer
- or
- ▶ dispose of the packaging correctly observing regional regulations.

#### 7.3.2 Disposal of the old appliance



Electrical appliances with this mark must not be disposed of in the household waste at the end of their service life. They must be disposed of at a collection point for the recycling of electrical or electronic appliances. Information on this can be obtained from the city or local councils.

Waste electrical and electronic appliances often still contain valuable materials. However, they also contain harmful substances that were necessary to make them work and ensure their safety. If placed in the household waste or handled incorrectly, they may harm human health and damage the environment.

- ▶ Never dispose of your old appliance in the household waste.
- ▶ Take the appliance to a regional collection point for the return and further processing of electrical and electronic components and other materials.

## 8 Warranty, technical service, spare parts, accessories

► Observe all safety and warning information (Safety).

### 8.1 BORA manufacturer's warranty

BORA provides its end customers with a 2-year manufacturer's warranty for its products. The end customer is entitled to this warranty in addition to the statutory claims for defects against the sellers of our products.

The manufacturer's warranty applies to the BORA products listed here, which are sold by authorised BORA retailers or by BORA trained salespersons and are installed within the European Union (overseas territories excluded), Switzerland, Liechtenstein, Ukraine, Russia, Norway, Serbia, Israel, UK, Iceland, India, Australia and New Zealand, with the exception of BORA products labelled as universal or accessories:

- BORA lighting

The manufacturer's warranty starts as soon as the BORA product is handed over to the end customer and is valid for 2 years. Registering on [www.mybora.com](http://www.mybora.com) enables the manufacturer's warranty to be extended to 5 years.

The manufacturer's warranty requires expert installation (in accordance with the valid BORA ventilation handbook and operating instructions at the time of installation) of the BORA products by an authorised BORA retailer. During use, the end customer is to adhere to the specifications and instructions in the operating manual.

When filing a warranty claim, BORA must be directly notified of the fault and the receipt must be presented. Alternatively, proof of purchase can be provided by registering on [www.mybora.com](http://www.mybora.com). BORA guarantees that all BORA products are free from material and production defects. The defect must exist prior to delivery of the product to the end customer. Filing a warranty claim does not interrupt the warranty period, nor shall the period start anew. BORA will correct defects in BORA products at its own discretion by repairing or replacing the product. All costs for the correction of defects under the manufacturer's warranty shall be assumed by BORA.

Expressly not covered by the BORA manufacturer's warranty are:

- BORA products that were not sold by authorised BORA dealers or salespersons trained by BORA
- Damage caused by non-adherence to the operating instructions (including product care and cleaning). This represents improper use.
- Secondary damage or claims for damages beyond the defect

Legal claims, particularly statutory claims for defects or product liability are not limited by the warranty and can be asserted free of charge.

If a defect is not covered by the manufacturer's warranty, a claim may be made against the BORA Technical Service.

BORA shall not assume the resulting costs.

The laws of the Federal Republic of Germany apply to these warranty conditions.

You can contact us at:

BORA Vertriebs GmbH & Co KG, Innstraße 1, 6342 Niederndorf, Austria

- Telephone: 00800 7890 0987  
Monday to Thursday from 08:00-18:00 and Friday from 08:00-17:00
- Email: [support@bora.com](mailto:support@bora.com)

### 8.1.1 Warranty extension

You can extend the warranty by registering at [www.bora.com/](http://www.bora.com/) registration .

### 8.2 Service

#### BORA Service:

see reverse side of operating and assembly instructions



- In the case of faults you cannot fix yourself, contact your BORA specialised retailer or the BORA Service Team. The BORA Service Team will require the type designation and serial number of your appliance (FD number).

Operating and installation instructions:

○Original

ⓈTranslation

Manufacturer: BORA Vertriebs GmbH & Co KG

The distribution and duplication of this document, as well as the use and disclosure of its contents are prohibited unless expressly authorised. Great care was taken when devising these operating and installation instructions. However, it may be the case that later technical changes have not yet been added or the corresponding contents have not yet been modified. We apologise for this. An up-to-date version can be requested from the BORA Service team. Misprints and errors excepted.

© BORA Vertriebs GmbH & Co KG

All rights reserved.

---

<b>D</b>	<b>A</b>	<b>INT</b>	<b>AU NZ</b>
<b>BORA Lüftungstechnik GmbH</b> Rosenheimer Str. 33 83064 Raubling Deutschland T +49 (0) 8035 / 9840-0 F +49 (0) 8035 / 9840-300 support@bora.com bora.com	<b>BORA Vertriebs GmbH &amp; Co KG</b> Innstraße 1 6342 Niederndorf Österreich T +43 (0) 5373 / 62250-0 F +43 (0) 5373 / 62250-90 support@bora.com bora.com	<b>BORA Holding GmbH</b> Innstraße 1 6342 Niederndorf Austria T +43 (0) 5373 / 62250-0 F +43 (0) 5373 / 62250-90 support@bora.com bora.com	<b>BORA APAC Pty Ltd</b> 100 Victoria Road Drummoyn NSW 2047 Australia T +61 2 9719 2350 F +61 2 8076 3514 info@boraapac.com.au bora-australia.com.au

---

