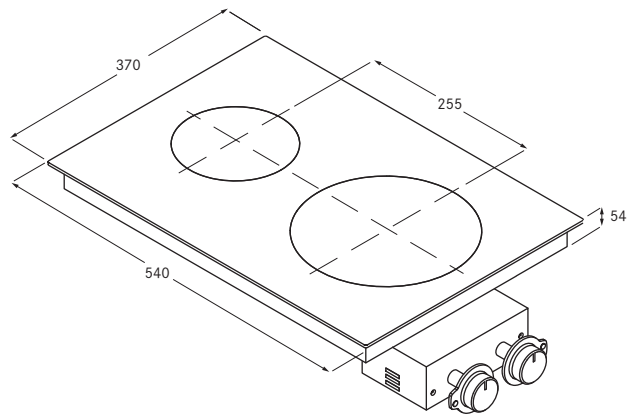


## BORA induction glass ceramic cooktop with 2 cooking zones



### Technical data

Supply voltage	220 - 240 V
Frequency	50 Hz
Maximum power consumption	3.7 kW
Maximum power rating	3.7 kW
Minimum fuse protection	1 x 16 A
Power control	1 - 9, P, freely adjustable
Weight (incl. accessories / packaging)	9.7 kg
Surface material	SCHOTT CERAN®
Power supply cable	1.5 m
Dimensions (width x depth x height)	370x540x54 mm
1-ring front induction cooking zone	2300 W
Power setting	3700 W
Ø 230 mm	
1-ring rear induction cooking zone	1400 W
Power setting	2200 W
Ø 155 mm	

### Product description

- Heat retention level
- Power setting
- Residual heat display
- Pan size recognition
- Automatic heat up function
- Digital power display on the cooktop
- Childproofing feature
- Safety shut-down
- Please note that induction-compatible cookware must be used on induction cooktops
- Make sure that the area below the induction cooktop is sufficiently ventilated

### Scope of delivery

- PI 11 induction glass ceramic cooktop
- PISK2 control box with electronic controls (power level sleeve, control knob, adjustment plates)
- Mounting rails and straps
- Glass ceramic scraper
- Drilling template
- Height adjustment plate set
- Operating and installation instructions
- Power supply cable

### Accessories

(can be ordered separately)

- PIKV10 100 cm cable extension