

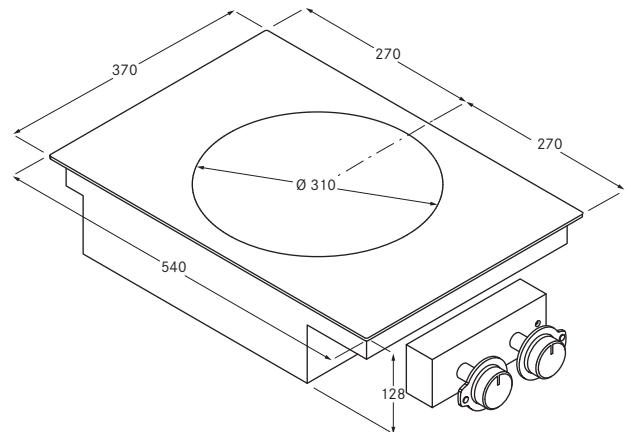
## BORA induction glass ceramic wok cooktop



### Important planning instructions:

- If the PIW1 induction glass ceramic wok cooktop is used, the groove dimensions must be increased to 7 mm for flush installation!
- The installation height of 128 mm means that the device cannot be installed over the exhaust ducting.
- Make sure that the area below the induction cooktop is sufficiently ventilated.
- Glass ceramic mould: radius 210 mm
- A wok must be used that loses its magnetic properties when the temperature rises (overheating protection).

We recommend the use of the wok available from us.



### Technical data

Supply voltage	220 - 240 V
Frequency	50 Hz
Maximum power consumption	3.0 kW
Maximum power rating	3.0 kW
Minimum fuse protection	1 x 16 A
Power control	1 - 9, P, freely adjustable
Weight (incl. accessories / packaging)	11.0 kg
Surface material	SCHOTT CERAN®
Power supply cable	1.5 m
Dimensions (width x depth x height)	370 x 540 x 128 mm
Induction cooking zone	2400 W
Power setting	3000 W
Ø 310 mm	

### Product description

- Power setting
- Residual heat display
- Pan size recognition
- Automatic heat up function
- Digital power display on the cooktop
- Childproofing feature
- Safety shut-down

### Scope of delivery

- Induction glass ceramic wok PIW1
- PIWSK2 control box with electronic controls (power level sleeve, control knob, adjustment plates)
- Mounting rail and straps
- Glass ceramic scraper
- Drilling template
- Height adjustment plate set
- Operating and installation instructions
- Power supply cable

### Accessories

(can be ordered separately)

- PIWKV10 100 cm cable extension
- Induction wok Demeyere Procontrol, Controlinduc, stainless steel, Ø 36 cm, HIW1