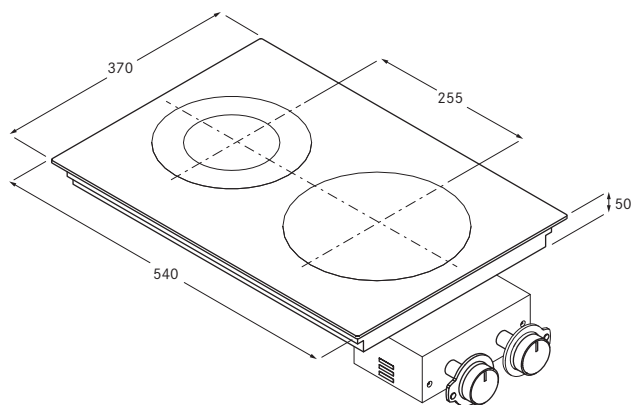


BORA hyper glass ceramic cooktop with 2 cooking zones: 1-ring/2-ring



Technical data

Supply voltage	380 – 415 V 2 N
Frequency	50/60 Hz
Maximum power consumption	5.1 kW
Maximum power rating	5.1 kW
Minimum fuse protection	2 x 16 A
Power control	1 – 9, freely adjustable (Switching 2-ring/hyper)
Weight (incl. accessories/packaging)	9.1 kg
Surface material	SCHOTT CERAN®
Power supply cable	1.5 m
Dimensions (width x depth x height)	370x540x50 mm
1-ring front cooking zone	2100 W
Hyper stage	3200 W
Ø 235 mm	
2-ring rear cooking zone	800/1900 W
Ø 120/200 mm	

Product description

- Hyper glass ceramic cooktop: hyper/2-ring
- Save time with shorter heating times on the front cooking zone
- Residual heat display
- Childproofing feature

Scope of delivery

- Hyper glass ceramic cooktop PCH2
- PCHSK2 control box with electronic controls (power level sleeve, control knob, adjustment plates)
- Mounting rail and straps
- Glass ceramic scraper
- Drilling template
- Height adjustment plate set
- Operating and installation instructions
- Power supply cable

Accessories

(can be ordered separately)

- PCKV10 100 cm cable extension