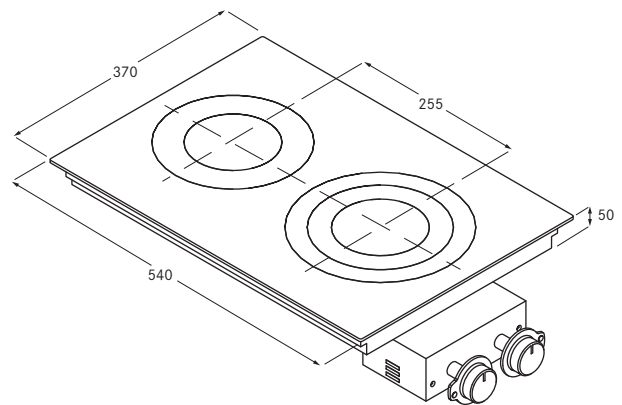


BORA HiLight glass ceramic cooktop with 2 cooking zones 3-ring/2-ring



Technical data	
Supply voltage	380 – 415 V 2N
Frequency	50/60 Hz
Maximum power consumption	4.4 kW
Maximum power rating	4.4 kW
Minimum fuse protection	2 x 16 A
Power control	1 – 9, freely adjustable (Switching of 2/3 rings)
Weight (incl. accessories/packaging)	9.1 kg
Surface material	SCHOTT CERAN®
Power supply cable	1.5 m
Dimensions (width x depth x height)	370x540x50 mm
3-ring front cooking zone	
Ø 120/180/235 mm	800/1600/2500 W
2-ring rear cooking zone	
Ø 120/200 mm	800/1900 W

Product description
■ HiLight glass ceramic cooktop with 3-ring/2-ring switching
■ Residual heat display
■ Childproofing feature

Scope of delivery
■ PC32 HiLight glass ceramic cooktop
■ PCSK2 control box with electronic controls (power level sleeve, control knob, adjustment plates)
■ Mounting rails and straps
■ Glass ceramic scraper
■ Drilling template
■ Height adjustment plate set
■ Operating and installation instructions
■ Power supply cable

Accessories (can be ordered separately)
■ PCKV10 100 cm cable extension