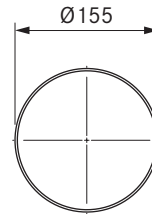
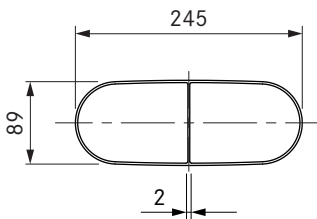
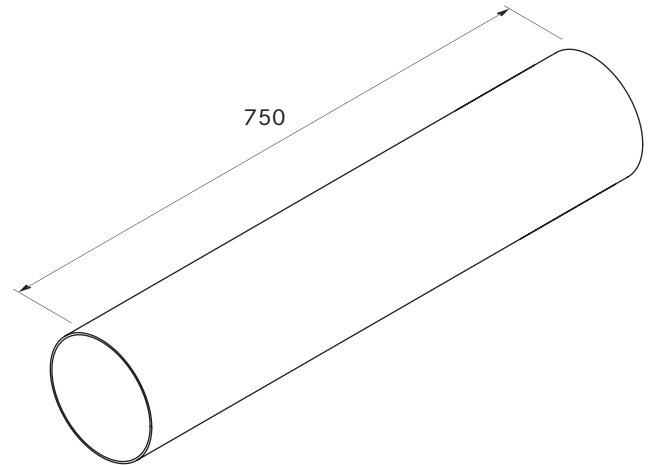
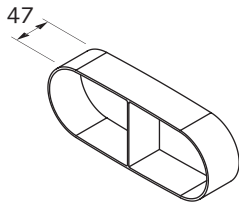


EF47/1

BORA Ecotube shallow duct 47mm

ER750/1

BORA Ecotube round duct, 750mm



technical data

Dimensions (WxDxH)	245 x 47 x 89 mm
Weight	0.09 kg
Material property	B1 according to DIN 4102-1

Product description

- Optimal extraction performance with the lowest possible noise level
- own duct system
- Full flexibility in the exhaust ducting
- 100% tight without additional taping
- Polished inner walls and oval cross section
- Complete BORA system

product- and planning instructions

- Shallow duct for direct connection of two shallow Ecotube sockets

technical data

Dimensions (diameter)	Ø 155 x 750 mm
Weight	1.6 kg
Material property	B1 according to DIN 4102-1

Product description

- Optimal extraction performance with the lowest possible noise level
- own duct system
- Full flexibility in the exhaust ducting
- 100% tight without additional taping
- Individually shortenable
- Complete BORA system