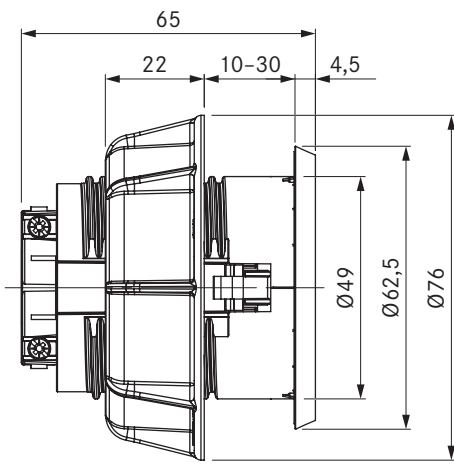
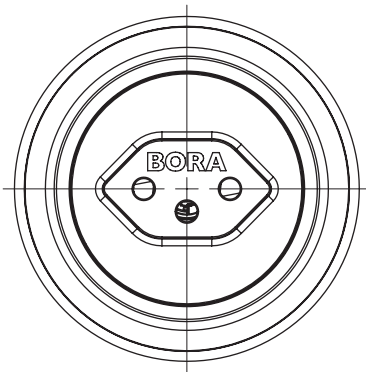


USTJ / USTJAB

BORA socket type J / BORA socket type J All Black



Technical data

Supply voltage	220 - 240 V
Minimum fuse protection	10 A (type J)
Dimensions (diameter)	Ø 76 x 60,5 mm
Cover dimensions (WxDxH)	Ø 62,5 x 4,5 mm

Product description

- Connectivity for small electrical kitchen appliances
- Suitable for CH, LI
- Spacing ring in the scope of delivery
- Integrated 2 m connection cable
- Uniform cover drill diameter
- matching accessories
- Complete BORA system

Scope of delivery

- Socket USTJ
- 2 m connection cable with country-specific plug

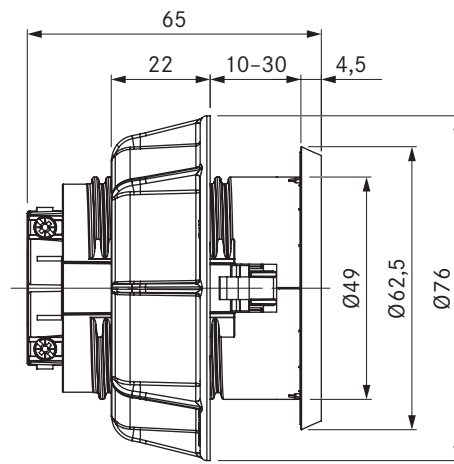
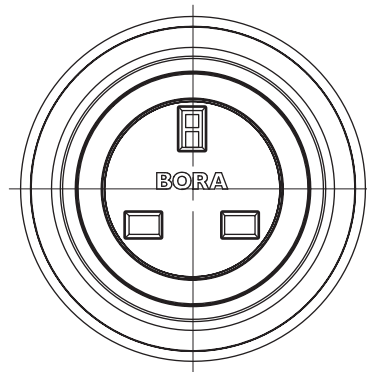
product- and planning instructions

- Only for unit installation in kitchen cupboards with a front thickness of 10 mm to 30 mm
- Panel drill hole Ø 50 ±0.5 mm

USTG / USTGAB

BORA socket type G / BORA socket type G All Black

 **BORA**



Technical data

Supply voltage	220 - 240 V
Minimum fuse protection	13 A (type G)
Dimensions (diameter)	Ø 76 x 60,5 mm
Cover dimensions (WxDxH)	Ø 62,5 x 4,5 mm

Product description

- Connectivity for small electrical kitchen appliances
- Suitable for UK, AE, SG
- Spacing ring in the scope of delivery
- Integrated 2 m connection cable
- Uniform cover drill diameter
- matching accessories
- Complete BORA system

Scope of delivery

- Socket USTG
- 2 m connection cable with country-specific plug

product- and planning instructions

- Only for unit installation in kitchen cupboards with a front thickness of 10 mm to 30 mm
- Panel drill hole Ø 50 ±0.5 mm