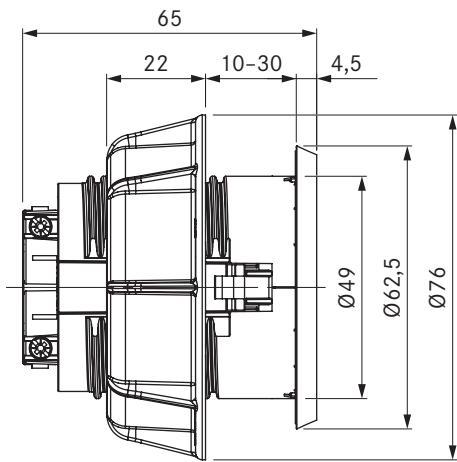
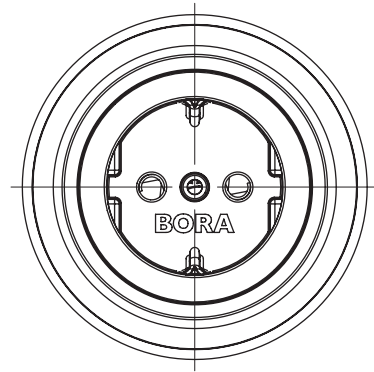


USTF / USTFAB

BORA socket type F / BORA All Black socket type F All Black



Technical data

| | |
|--------------------------|-----------------|
| Supply voltage | 220 - 240 V |
| Minimum fuse protection | 16 A (type F) |
| Dimensions (diameter) | Ø 76 x 60,5 mm |
| Cover dimensions (WxDxH) | Ø 62,5 x 4,5 mm |

Product description

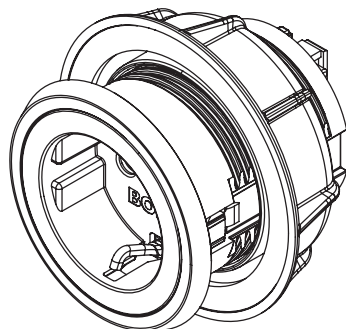
- Connectivity for small electrical kitchen appliances
- Integrated childproofing feature
- Suitable for DE, ES, IT, AT, LU, PT, RU, BR, SE, NL
- Spacing ring in the scope of delivery
- Integrated 2 m connection cable
- Uniform cover drill diameter
- matching accessories
- Complete BORA system

Scope of delivery

- Socket USTF
- 2 m connection cable with country-specific plug

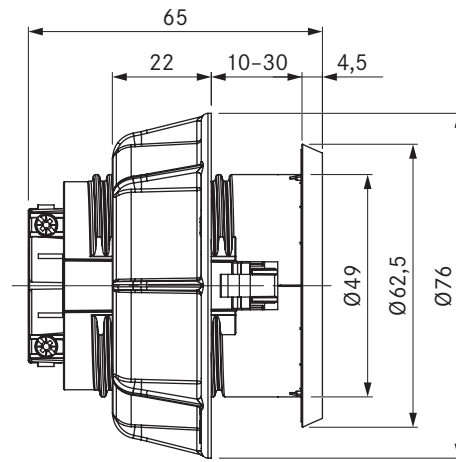
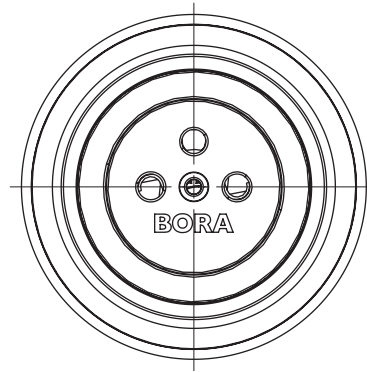
product- and planning instructions

- Only for unit installation in kitchen cupboards with a front thickness of 10 mm to 30 mm
- Panel drill hole Ø 50 ±0.5 mm



USTE / USTEAB

BORA socket type E / BORA socket type E All Black



Technical data

| | |
|--------------------------|-----------------|
| Supply voltage | 220 - 240 V |
| Minimum fuse protection | 16 A (type E) |
| Dimensions (diameter) | Ø 76 x 60,5 mm |
| Cover dimensions (WxDxH) | Ø 62,5 x 4,5 mm |

Product description

- Connectivity for small electrical kitchen appliances
- Integrated childproofing feature
- Suitable for FR, PL, BE, CZ, SK
- Spacing ring in the scope of delivery
- Integrated 2 m connection cable
- Uniform cover drill diameter
- matching accessories
- Complete BORA system

Scope of delivery

- Socket USTE
- 2 m connection cable with country-specific plug

product- and planning instructions

- Only for unit installation in kitchen cupboards with a front thickness of 10 mm to 30 mm
- Panel drill hole Ø 50 ±0.5 mm