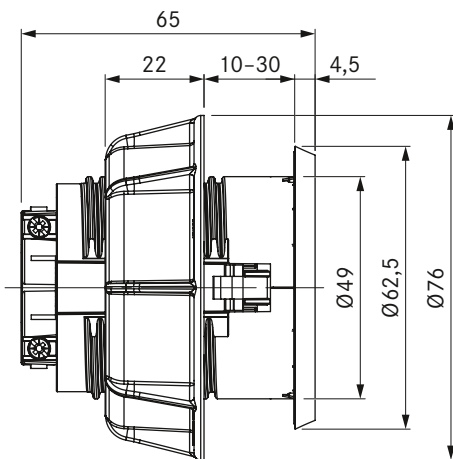
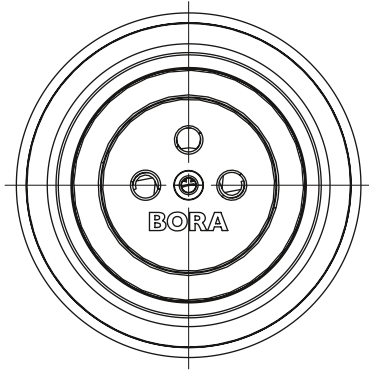


# USTE

BORA socket type E



## technical data

|                        |               |
|------------------------|---------------|
| Supply voltage         | 220-240 V     |
| Maximum rated power    | 16 A (type E) |
| Dimensions (diameter)  | 62.5 mm       |
| Dimensions (thickness) | 4.5 mm        |

## Product description

- A practical way of connecting electrical domestic appliances
- childproofing feature
- Stainless steel trim ring
- Matt black plastic socket
- Only for unit installation in kitchen cupboards with a front thickness of 10 mm to 30 mm

## Add-on product description

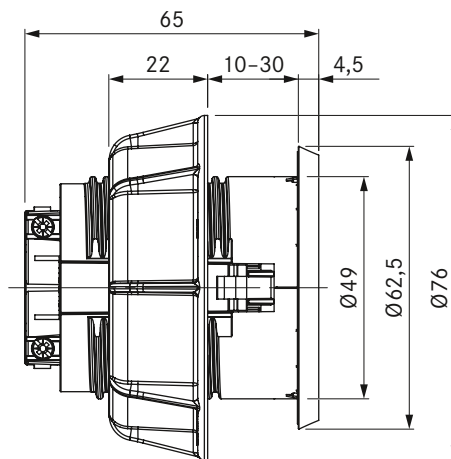
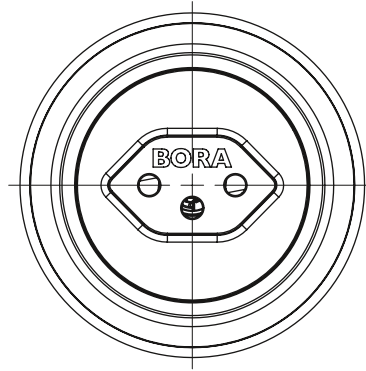
- Type E: FR, PL, DK, BE, CZ, SK

## Scope of delivery

- USTE socket
- 2 m connection cable with country-specific plug

# USTJ

BORA socket type J



## technical data

|                        |               |
|------------------------|---------------|
| Supply voltage         | 220-240 V     |
| Maximum rated power    | 10 A (type J) |
| Dimensions (diameter)  | 62.5 mm       |
| Dimensions (thickness) | 4.5 mm        |

## Product description

- A practical way of connecting electrical domestic appliances
- Stainless steel trim ring
- Matt black plastic socket
- Only for unit installation in kitchen cupboards with a front thickness of 10 mm to 30 mm

## Add-on product description

- Type J: CH, LI

## Scope of delivery

- USTJ socket
- 2 m connection cable with country-specific plug