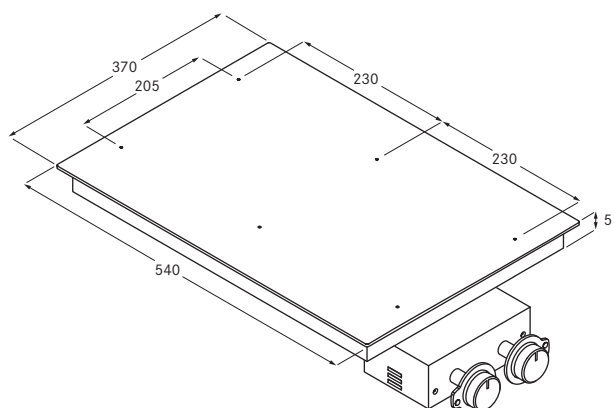
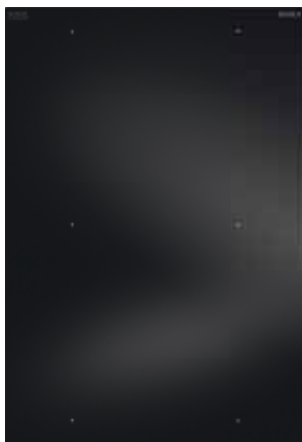


## BORA surface induction glass ceramic cooktop with 2 cooking zones



Technical data	
Supply voltage	220 - 240 V
Frequency	50 Hz
Maximum power consumption	3.7 kW
Maximum power rating	3.7 kW
Minimum fuse protection	1 x 16 A
Power control	1 - 9, P, freely adjustable
Weight (incl. accessories / packaging)	9.7 kg
Surface material	SCHOTT CERAN®
Power supply cable	1.5 m
Dimensions (width x depth x height)	370x540x51 mm
Front induction cooking zone	2100 W
Power setting	3700 W
205 x 230 mm	
Rear induction cooking zone	2100 W
Power setting	3700 W
205 x 230 mm	

Product description
■ Heat retention level
■ Power setting
■ Bridging function
■ Residual heat display
■ Pan size recognition
■ Automatic heat up function
■ Digital power display on the cooktop
■ Childproofing feature
■ Safety shut-down
■ Please note that induction-compatible cookware must be used on induction cooktops
■ Make sure that the area below the induction cooktop is sufficiently ventilated

Scope of delivery
■ PFI11 surface induction glass ceramic cooktop
■ PISK2 control box with electronic controls (power level sleeve, control knob, adjustment plates)
■ Mounting rails and straps
■ Glass ceramic scraper
■ Drilling template
■ Height adjustment plate set
■ Operating and installation instructions
■ Power supply cable
Accessories (can be ordered separately)
■ PIKV10 100 cm cable extension
■ UGPI1 grill pan